

BUZZER

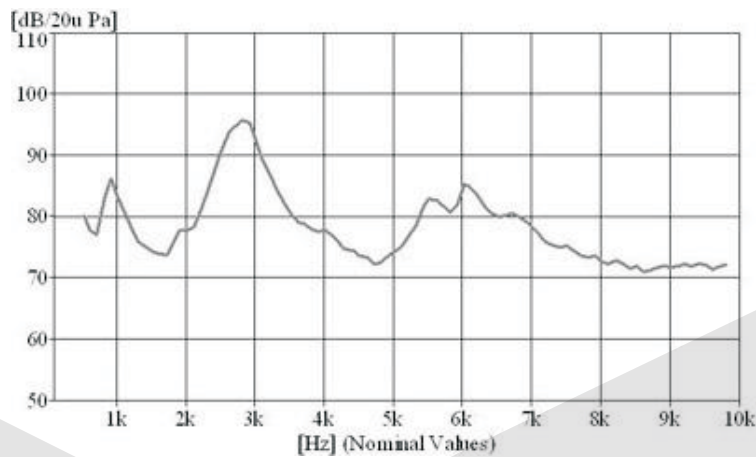
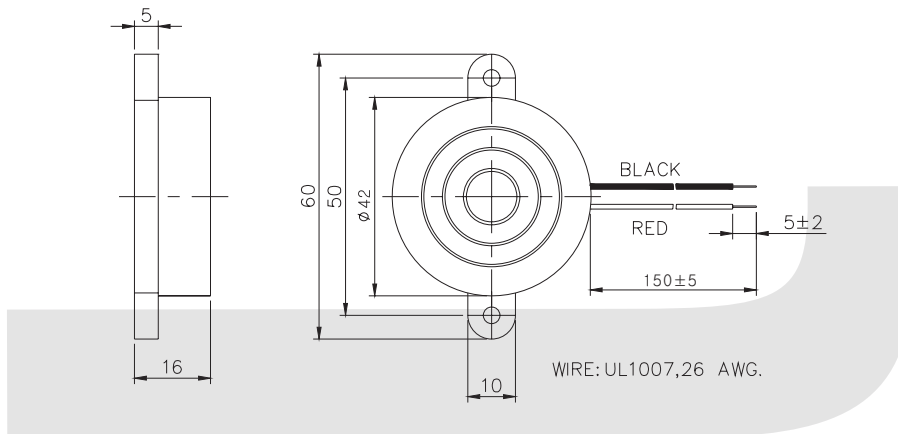
Piezo Transducer Series

KLS3-LPT-42*16 Without Circuit Piezo Transducer Buzzer Series

Order Code	KLS3-LPT-42*16
Rated Voltage	12Vp-p
Operating Voltage	1...30Vp-p
Max. Rated Current	8mA
Resonant Frequency	1.1±0.5KHz
Min.S.P.L. (@10cm)	80dB
Capacitance at 1000Hz	35000±30% pF
Operating Temp	-20°C~+70°C
Weight	10g



Dimensions (Unit:mm)



ORDER INFORMATION

Product No.: **KLS3 - LPT - 42*16**

Part Number

Without Circuit Piezo
Transducer Buzzer Series

Order Code