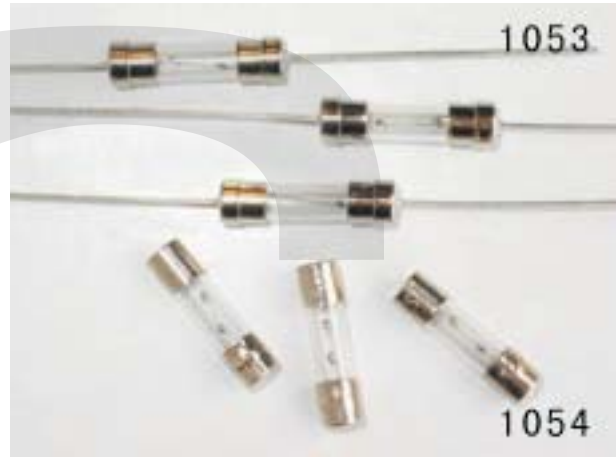
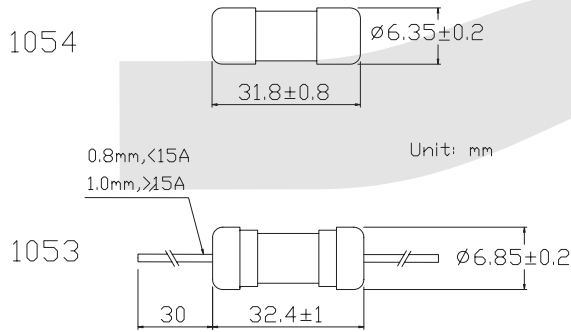


FUSE AND FUSE HOLDER

Φ6.35x32(30) Glass Tube Fuse Series

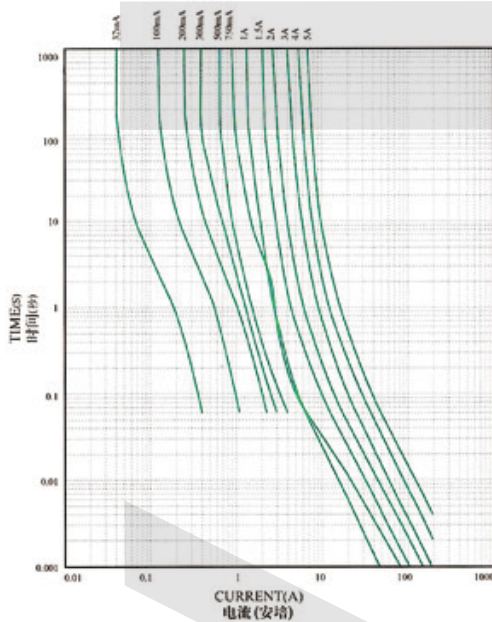
KLS5-1053/1054 Φ6.35x32(30) Glass Tube Fuse (Slow Blow) Series



ELECTRICAL CHARACTERISTICS

Rating	Blowing TIME
100%	4 hour Min
135%	1 hour Max
200%	120 sec Max

I-T CHARACTERISTICS CURVE
电流 - 时间曲线图



Product Model	Rated Current	Rated Volta	Product Model	Rated Current	Rated Volta
1054-0100	100mA	125V/250V	1053-0100	100mA	125V/250V
1054-0125	125mA	125V/250V	1053-0125	125mA	125V/250V
1054-0150	150mA	125V/250V	1053-0150	150mA	125V/250V
1054-0160	160mA	125V/250V	1053-0160	160mA	125V/250V
1054-0200	200mA	125V/250V	1053-0200	200mA	125V/250V
1054-0250	250mA	125V/250V	1053-0250	250mA	125V/250V
1054-0300	300mA	125V/250V	1053-0300	300mA	125V/250V
1054-0315	315mA	125V/250V	1053-0315	315mA	125V/250V
1054-0350	350mA	125V/250V	1053-0350	350mA	125V/250V
1054-0400	40mA	125V/250V	1053-0400	40mA	125V/250V
1054-0500	500mA	125V/250V	1053-0500	500mA	125V/250V
1054-0600	600mA	125V/250V	1053-0600	600mA	125V/250V
1054-0700	700mA	125V/250V	1053-0700	700mA	125V/250V
1054-0750	750mA	125V/250V	1053-0750	750mA	125V/250V
1054-0800	800mA	125V/250V	1053-0800	800mA	125V/250V
1054-1000	1A	125V/250V	1053-1000	1A	125V/250V
1054-1200	1.2	125V/250V	1053-1200	1.2	125V/250V
1054-1250	1.25A	125V/250V	1053-1250	1.25A	125V/250V
1054-1500	1.5A	125V/250V	1053-1500	1.5A	125V/250V
1054-1600	1.6A	125V/250V	1053-1600	1.6A	125V/250V
1054-1800	1.8A	125V/250V	1053-1800	1.8A	125V/250V
1054-2000	2A	125V/250V	1053-2000	2A	125V/250V
1054-2500	2.5A	125V/250V	1053-2500	2.5A	125V/250V
1054-3000	3A	125V/250V	1053-3000	3A	125V/250V
1054-3150	3.15A	125V/250V	1053-3150	3.15A	125V/250V
1054-3500	3.5	125V/250V	1053-3500	3.5	125V/250V
1054-4000	4A	125V/250V	1053-4000	4A	125V/250V
1054-5000	5A	125V/250V	1053-5000	5A	125V/250V
1054-6000	6A	125V/250V	1053-6000	6A	125V/250V
1054-6300	6.3A	125V/250V	1053-6300	6.3A	125V/250V
1054-7000	7A	125V/250V	1053-7000	7A	125V/250V
1054-8000	8A	125V/250V	1053-8000	8A	125V/250V
1054-10000	10A	125V/250V	1053-10000	10A	125V/250V
1054-12000	12A	125V/250V	1053-12000	12A	125V/250V
1054-15000	15A	125V/250V	1053-15000	15A	125V/250V
1054-20000	20A	125V/250V	1053-20000	20A	125V/250V
1054-25000	25A	125V/250V	1053-25000	25A	125V/250V
1054-30000	30A	125V/250V	1053-30000	30A	125V/250V

ORDER INFORMATION

Product NO.: **KLS5-1053-XXXX**

Rated Current
Lead Type: 1053=With Lead 1054=No Lead
Part Number