

## Stereo Jack Series

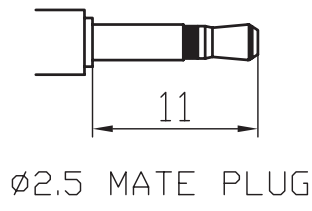
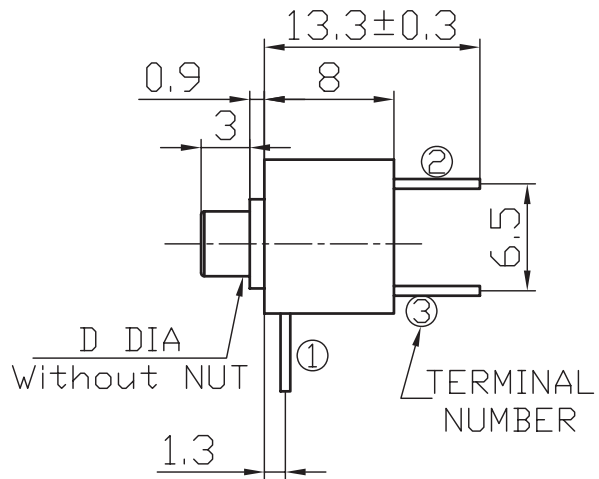
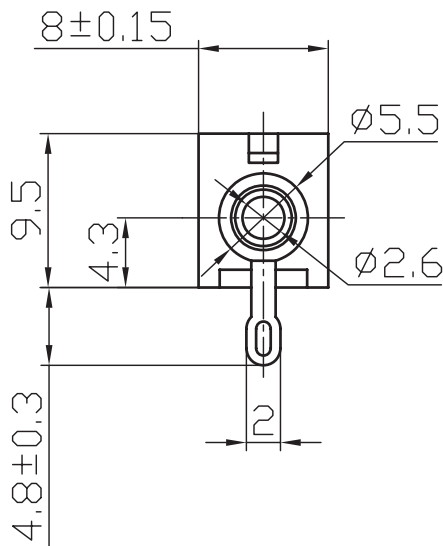
### KLS1-TG2.5-001B (Dip Mono Jack)

**Technical parameters:**

Rated voltage: DC 30 V  
 Rated current: 0.5 A  
 Contact resistance: 0.03Ω, max  
 Insulation resistance: 100MΩ, min  
 Pressure: AC500V (50Hz) / 1minute  
 Insertion Force :2-20 N  
 Life: 50000 times  
 Operating Temperature:-30°C ~ 70°C

**Material:**

Housing Material:PBT  
 Center Pin Material:  
 Terminal 1 :Brass  
 Terminal 2 :Copper Alloy  
 Terminal 3 :Brass  
 Bushing :Brass



MCDEL NO.	001B
D DIA	ø4
SCHEMATIC	

## ORDER INFORMATION

Product NO.: KLS1-TG2.5-001B

