

## RCA JACK Series

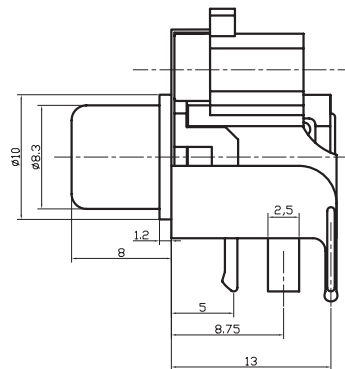
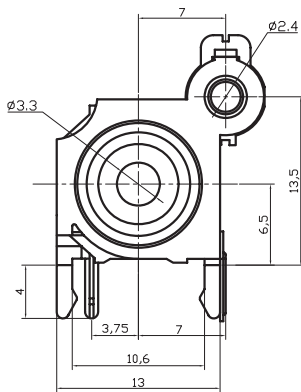
KLS1-RCA-104ES Horizontal Pin Jack AV RCA


### Electrical Specification:

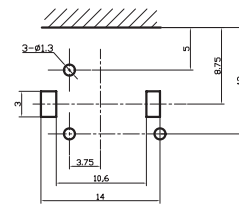
Contact resistance : 30mΩ Max  
Insulation resistance : 50MΩ Min at DC 500V  
Withstand voltage : AC 500V(50Hz) 1min  
Operating Temperature : -25°C~+85°C

### Materials

Housing : PBT UL94V~0  
Outer Contact : Brass  
Terminal : Brass  
Cover : ABS UL94V~0



MODEL NO.	RCA-104ES
SCHEMATIC	



T:1.6 Dimensions of PC board holes  
Tolerance : ±0.1(Printed-bottom view)  
UNLESS OTHERWISE SPECIFIED, TOLERANCE ON DECIMAL: ±0.3

## ORDER INFORMATION

Product NO.: KLS1-RCA-104ES-N-R

Pos. NO. \_\_\_\_\_  
RCA Jack Type \_\_\_\_\_  
N:Nickel Plated \_\_\_\_\_  
Color: R: Red  
B: Black  
Y: Yellow  
W: White

## RCA JACK Series

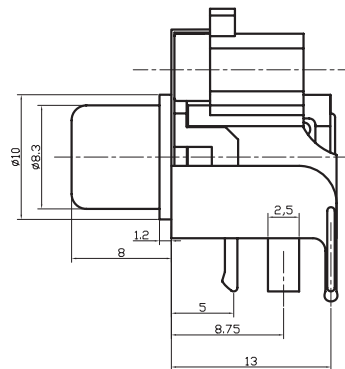
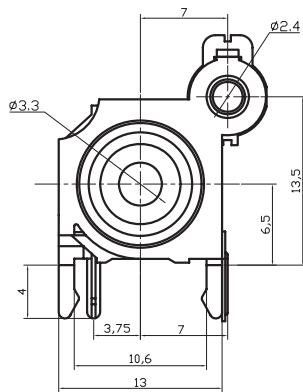
KLS1-RCA-104EL Horizontal Pin Jack AV RCA


### Electrical Specification:

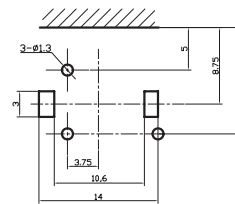
Contact resistance : 30mΩ Max  
 Insulation resistance : 50MΩ Min at DC 500V  
 Withstand voltage : AC 500V(50Hz) 1min  
 Operating Temperature : -25°C~+85°C

### Materials

Housing : PBT UL94V~0  
 Outer Contact : Brass  
 Terminal : Brass  
 Cover : ABS UL94V~0



MODEL NO.	RCA-104EL
SCHEMATIC	



T:1.6 Dimensions of PC board holes  
 Tolerance : ±0.1(Printed-bottom view)  
 UNLESS OTHERWISE SPECIFIED, TOLERANCE ON DECIMAL: ±0.3

## ORDER INFORMATION

Product NO.: KLS1-RCA-104EL-N-R

Pos. NO. \_\_\_\_\_  
 RCA Jack Type \_\_\_\_\_  
 N:Nickel Plated \_\_\_\_\_  
 Color: R : Red  
 B : Black  
 Y : Yellow  
 W : White

## RCA JACK Series

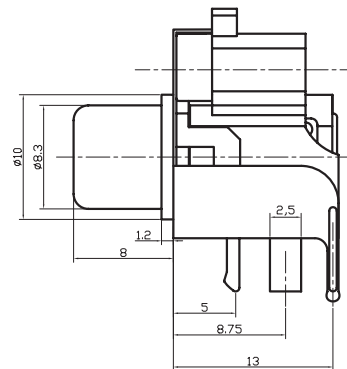
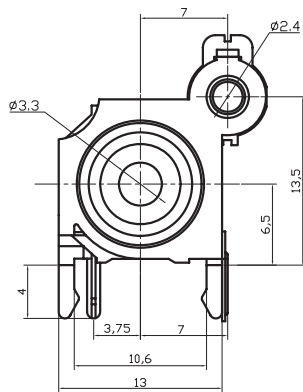
KLS1-RCA-104 Horizontal Pin Jack AV RCA


### Electrical Specification:

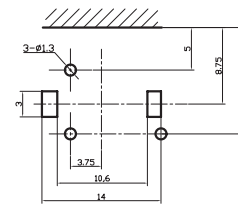
Contact resistance : 30mΩ Max  
 Insulation resistance : 50MΩ Min at DC 500V  
 Withstand voltage : AC 500V(50Hz) 1min  
 Operating Temperature : -25°C~+85°C

### Materials

Housing : PBT UL94V~0  
 Outer Contact : Brass  
 Terminal : Brass  
 Cover : ABS UL94V~0



MODEL NO.	RCA-104
SCHEMATIC	



T:1.6 Dimensions of PC board holes  
 Tolerance : ±0.1(Printed-bottom view)  
 UNLESS OTHERWISE SPECIFIED, TOLERANCE ON DECIMAL: ±0.3

## ORDER INFORMATION

Product NO.: KLS1-RCA-104-N-R

Pos. NO. \_\_\_\_\_  
 RCA Jack Type \_\_\_\_\_  
 N:Nickel Plated \_\_\_\_\_  
 Color: R: Red  
 B: Black  
 Y: Yellow  
 W: White