

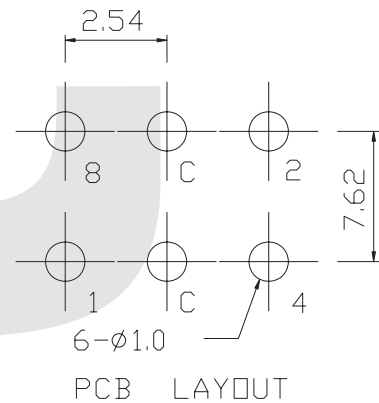
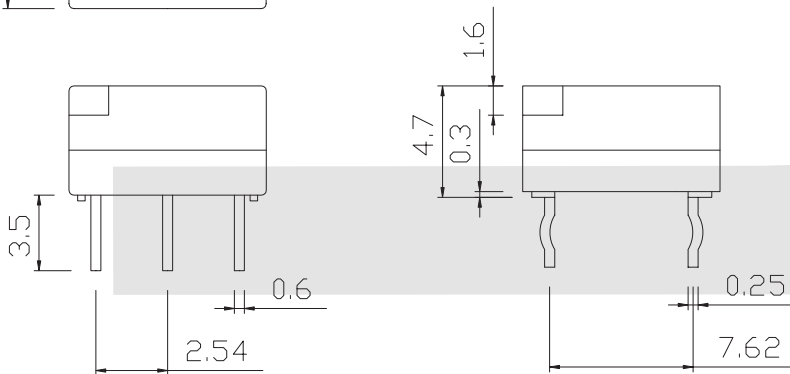
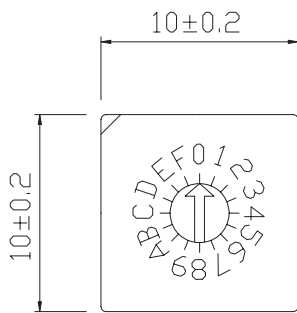
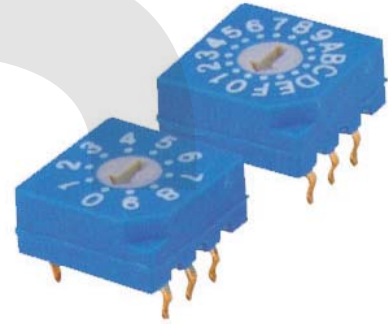
# Switch

## DIP Switch Series

### KLS7-RS31600 Rotary Dip Switch Series

#### ELECTRICAL

Switching: 25mA,24VDC  
 No-switching: 100mA,50VDC  
 Contact resistance: 100m Max.  
 Insulation resistance: 1000M Min.at 100VDC  
 Dielectric strength: 250VAC for 60 seconds



PIN NO.	POSITION															
	0	1	2	3	4	5	6	7	8	9	A	B	C	D	E	F
1	○	●	○	●	○	●	○	●	○	●	○	●	○	●	○	●
2	○	○	●	●	○	○	●	●	○	○	●	●	○	○	●	●
4	○	○	○	○	●	●	●	○	○	○	○	●	●	●	●	●
8	○	○	○	○	○	○	○	○	●	●	●	●	●	●	●	●

- - Real Code Rotor  
Color:Yellow (3:3)
- - Complement Code Rotor  
Color:Red (3:3)

## ORDER INFORMATION

**KLS7-RS 3 16 00**

Part Number: KLS7-RS 3 16 00

RS: ROTARY DIP SWITCH

Terminations: 2=3x2 3=3x3 4=4x1

Handle: 00 - Flat  
 03 - 3.0mm  
 07 - 7.0mm  
 13 - ∅10x3mm wheel

Codes: 10=BCD 10 Position  
 50=BCD Compl 10 Position  
 00=Others

16=BCD 16 Position  
 56=BCD Compl 16 Position