

## Circular Connector

### Russia Standard PB Type

#### KLS15-229-PB type connector

KLS15-229-PB series circular connectors are used extensively in line connections between electrical equipment, various instruments and meters. These connectors have the features of small volume, light weight, convenient application, high durability of plugging and unplugging, threaded coupling, good sealing performance, high conductivity and high dielectric strength. They are made according to the standard SJ/T10496. They are for military and industrial applications.

Working condition:

Environment temperature: sealed: -55°C~+70°C  
non-sealed: -55°C~+50°C

Relative humidity: 98% at +40°C

Atmospheric pressure: 2Kpa

Vibration: frequency: 100M/S<sup>2</sup> at 10~200Hz

Impact: frequency: 250M/S<sup>2</sup> at 40~100Hz

Centrifugal: 250 M/S<sup>2</sup>

Life span: 500 cycles



XV

#### Technical conditions

##### Rated voltage

Atmospheric pressure(Kpa)	100	8.5	4.4	2
Working voltage(V)	500	250	175	150

##### Rated current

Rated current (mm)	1.5	2.5	3.5	5.5
Contact pairs diameter(A)	10	25	50	100

##### Contact resistance

Contact diameter (mm)	1.5	2.5	3.5	5.5
Contact resistance (Ω)	0.0025	0.001	0.0005	0.0003

##### Single separative power

Diameter of contacts (mm)	1.5	2.5	3.5	5.5
Separating force(N)	3-6	4-8	6-10	10-12

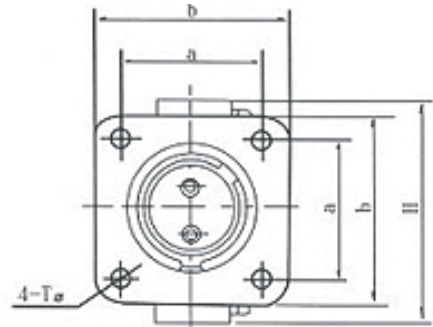
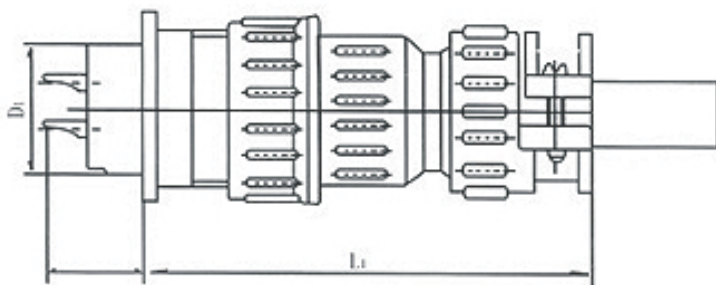
Contact pairs is 1-20: 100% Current

Contact pairs is 21-30: 80% Current

Insulation resistance: 500MΩ Min. Normal  
2MΩ Min. At constant moisture test,

The total resistance of the socket: 0.002Ω Max.

Normal condition : 1500V  
1000V at constant moisture test



Straight non-screen and non seal plug/receptacle  
Straight non-screen and airproof plug/receptacle

## ORDER INFORMATION

Product NO.: KLS15-229-PB 20-4 T K-1 M

PB series connector

Type: mounting diameter of receptacle : 20,28,32,40,48

Number of contacts: 2,3,4,5,6,7,8,9, 10,12,13,14,15,16,17,19,20,26,31,42

T- Plug

TR- Right angle wire spring plug

Z- Flange Receptacle

ZP- cable receptacle

K-socket J-pin

M - Airproof Receptacle

A - Non-airproof Receptacle

P - Straight Screen Plug

Q - Straight Non-Screen Plug

R - Syphon Screen Plug

S - Syphon Non-Screen Plug

Contact assembled code

## Circular Connector

### Russia Standard PB Type

#### Exterior and fixing dimension of socket

Type	D 1	b	a	Tφ	d 1	d 2	L	L 1	H 1	H 2	
20	A	20	30	22 ± 0.2	3.5	18	14	60	71	36	20.5
20	M	20	32	22 ± 0.2	4.5	18	14	64	75	36	20.5
28	A	28	38	30 ± 0.2	3.5	25	21	64	78	48	28.5
28	M	28	40	30 ± 0.2	4.5	25	21	68	82	48	28.5
32	A	32	40	32 ± 0.2	3.5	25	21	66	80	52	32.5
32	M	32	44	32 ± 0.2	4.5	25	21	70	84	52	32.5
40	A	40	48	40 ± 0.2	3.5	32	24	72	86	60	40.5

XV

#### Contacts compages code list

Diameter of socket (mm)	Number of contact					Assembled code
	Pins	According the diameter grouping (mm)				
		1.5	2.5	3.5	5.5	
20	2	2				1
20	2		2			2
20	3		4			3
20	3	3				4
20	3	1	2			5
20	4		4			6
20	4	4				7
20	4	2	2			8
20	5		5			9
20	5	5				10
20	7	7				11
28	2			2		1
28	4	4				7
28	4	2	2			8
28	4		4			9
28	4		2	2		2
28	4	2		2		10
28	6	4		2		3
28	6	6				11
28	7		7			4
28	7	7				12
28	7	5	2			13
28	7	4	3			14
28	7	3	4			15
28	17	17				16

Diameter of socket (mm)	Number of contact					Assembled code
	Pins	According the diameter grouping (mm)				
		1.5	2.5	3.5	5.5	
32	8		8			2
32	8	8				7
32	8	7	1			8
32	8	4	4			9
32	10	10				10
32	10	5	5			16
32	10	6	4			11
32	12	6	6			3
32	12	12				12
32	13	9	4			15
32	14	14				4
32	19	19				17
40	3				3	1
40	5			5		10
40	9		5	4		2
40	14	8	6			3
40	14	12	2			4
40	14	14				5
40	15	15				6
40	15	13	2			7
40	16	14	2			8
40	16	16				9
40	26	22	4			11
40	31	31				12
48	5				5	10
48	7			7		9
48	13		13			8
48	20	14	6			5
48	26	26				6
48	26	25	1			7
48	42	42				11

# Circular Connector



## Russia Standard PB Type

### Contact arrangement

No. of pin	2芯			3芯		
Type	PB20	PB20	PB28	PB20	PB20	PB20
Assembled code	1	2	1	3	4	5
Contact diameter and quantity	φ1.5X2	φ2.5X2	φ3.5X2	φ2.5X3	φ1.5X3	φ1.5X1 φ2.5X2
No. of pin	3芯		4芯			
Type	PB40	PB20	PB20	PB20	PB28	PB28
Assembled code	1	6	7	8	7	8
Contact diameter and quantity	φ5.5X3	φ2.5X4	φ1.5X4	φ1.5X2 φ2.5X2	φ1.5X4	φ1.5X2 φ2.5X2
No. of pin	4芯			5芯		
Type	PB28	PB28	PB28	PB20	PB20	PB40
Assembled code	9	2	10	9	10	10
Contact diameter and quantity	φ2.5X4	φ2.5X2 φ3.5X2	φ1.5X2 φ3.5X2	φ2.5X5	φ1.5X5	φ3.5X5
No. of pin	6芯		7芯			
Type	PB28	PB28	PB20	PB28	PB28	PB28
Assembled code	3	11	11	4	12	13
Contact diameter and quantity	φ1.5X4 φ3.5X2	φ1.5X6	φ1.5X7	φ2.5X7	φ1.5X7	φ1.5X5 φ2.5X2
No. of pin	7芯			8芯		
Type	PB28	PB28	PB48	PB55	PB32	PB32
Assembled code	14	15	9	7	2	7
Contact diameter and quantity	φ1.5X4 φ2.5X3	φ1.5X3 φ2.5X4	φ3.5X7	φ5.5X6 φ2.5X1	φ2.5X8	φ1.5X8
No. of pin	8芯		9芯		10芯	
Type	PB32	PB32	PB40	PB32	PB32	
Assembled code	8	9	2	10	11	
Contact diameter and quantity	φ1.5X7 φ2.5X1	φ1.5X4 φ2.5X4	φ2.5X6 φ3.5X4	φ1.5X10	φ1.5X6 φ2.5X4	
No. of pin	10芯		12芯		13芯	
Type	PB32	PB32	PB32	PB32	PB48	
Assembled code	16	3	12	15	8	
Contact diameter and quantity	φ1.5X5 φ2.5X5	φ1.5X6 φ2.5X6	φ1.5X12	φ1.5X9 φ2.5X4	φ2.5X13	

No. of pin	14芯			
Type	PB32	PB40	PB40	PB40
Assembled code	4	3	4	5
Contact diameter and quantity	φ1.5X14	φ1.5X8 φ2.5X6	φ1.5X12 φ2.6X2	φ1.5X14
No. of pin	15芯		16芯	
Type	PB40	PB40	PB40	PB40
Assembled code	6	7	8	9
Contact diameter and quantity	φ1.5X15	φ1.5X13 φ2.5X2	φ1.5X14 φ2.6X2	φ1.5X16
No. of pin	17芯	19芯	20芯	26芯
Type	PB28	PB32	PB48	PB48
Assembled code	16	17	5	6
Contact diameter and quantity	φ1.5X17	φ1.5X19	φ1.5X14 φ3.5X6	φ1.5X26
No. of pin	26芯			
Type	PB48		PB40	
Assembled code	7		11	
Contact diameter and quantity	φ1.5X25 φ2.6X1		φ1.5X22 φ2.6X4	
No. of pin	31芯		42芯	
Type	PB40		PB48	
Assembled code	12		11	
Contact diameter and quantity	φ1.5X31		φ1.5X42	