



Weight: 28g (approx.)

## D24mm\*L27.1mm DC Motor

Model No.:KLS23-DBM16-RE/RC-260A

**1 Typical Applications:** Motorized Plastic Model  
Motorized Toy  
Massager

### 2 KEY FEATURES

- Plastic End Cap
- Oil-impregnated Bearing

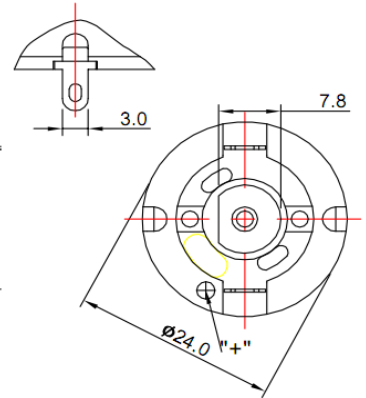
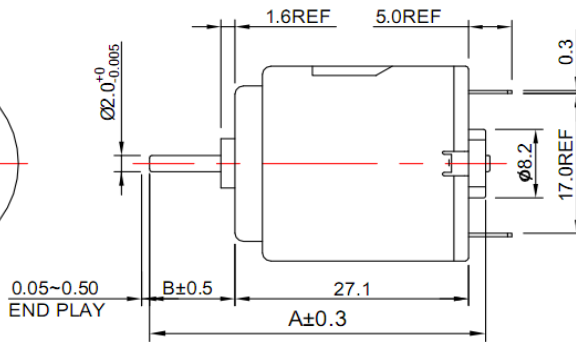
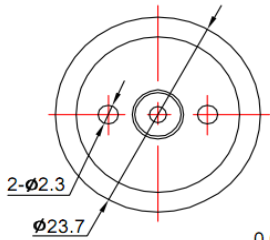
- Precision Metal Brush/Carbon Brush
- Carbon Steel Shaft

### 3 DIMENSIONS(MM)

**Customization:**

- a.Length A, B
- b.Technical Data
- c.Varistor for option

DIRECTION OF ROTATION  
CW/CCW



### 4 TECHNICAL DATA

MODEL	VOLTAGE		NO LOAD		AT MAXIMUM EFFICIENCY				STALL				
	OPERATING	NOMINAL	SPEED	CURRENT	SPEED	CURRENT	TORQUE	OUTPUT	TORQUE	CURRENT			
	RANGE	V	r/min	A	r/min	A	mNm	g.cm	mNm	g.cm	A		
RC-260RA	10350	8.0-12.0	12	10000	0.04	8040	0.16	1.27	13	1.07	6.47	66	0.67
RE-260RA	2670	1.5-3.0	1.5	6300	0.16	5040	0.64	0.98	10	0.52	4.9	50	2.56
RC-260SA	08550	6.0-24.0	24	10000	0.033	8100	0.14	2.05	20.9	1.98	10.8	110	0.6
	07675	6.0-24.0	24	8000	0.028	6216	0.1	2.4	24.5	1.19	10.8	110	0.34

**Remarks**

- 1. All values approximate.
- 2. Customized electric performance on request by using suitable windings.
- 3. Available with required cables, eccentric wheel and accessories after evaluation.