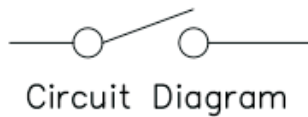
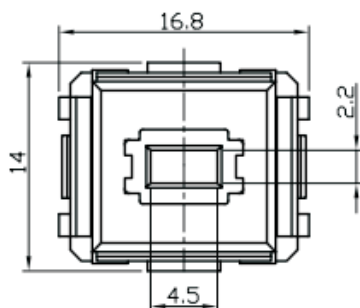


Push Switches

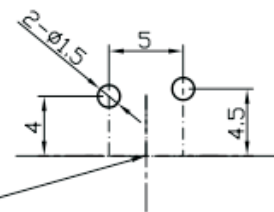
L-KLS7-PS-009 Push Switch

SPECIFICATION:

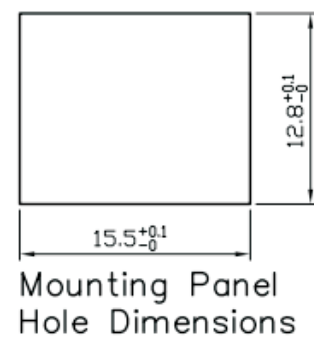
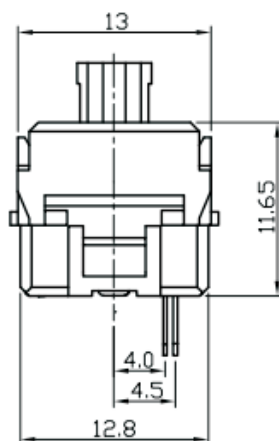
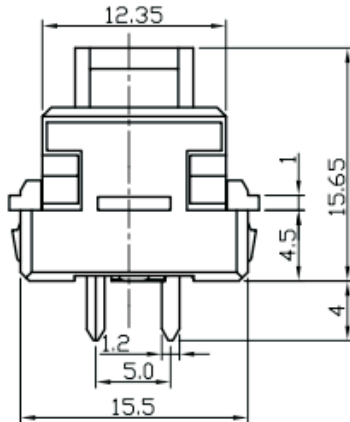
- Rating: 10mA 12V DC
- SIZE: 16.8 x 14.0 x 15.5mm
- PCB Terminal : 5 PIN
- Operation Force: 60±15gf
- Dielectric Strength: AC 100 V 1 Minute
- Insulation Resistance: 500 MΩ Mim
- Contact Resistance: 1MΩ Max.
- Operating Temperature: -25oC ~ +60oC
- Operating Life: 10,000,000 Cycles Min



Center of key switches



P.C.B. Mounting Hole Dimensions



ORDER INFORMATION

L-KLS7-PS-009-C

Part Number

Switches No.

N: Non Click Type
C: Click Type