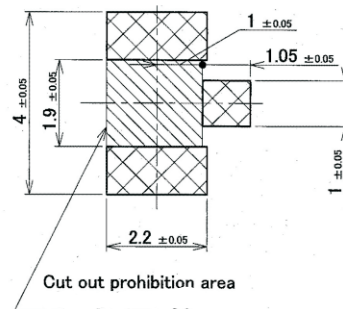
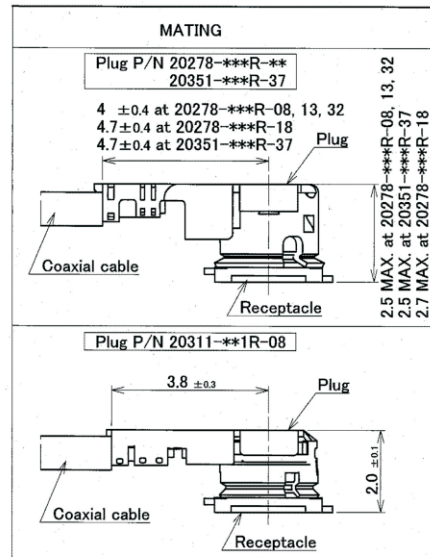
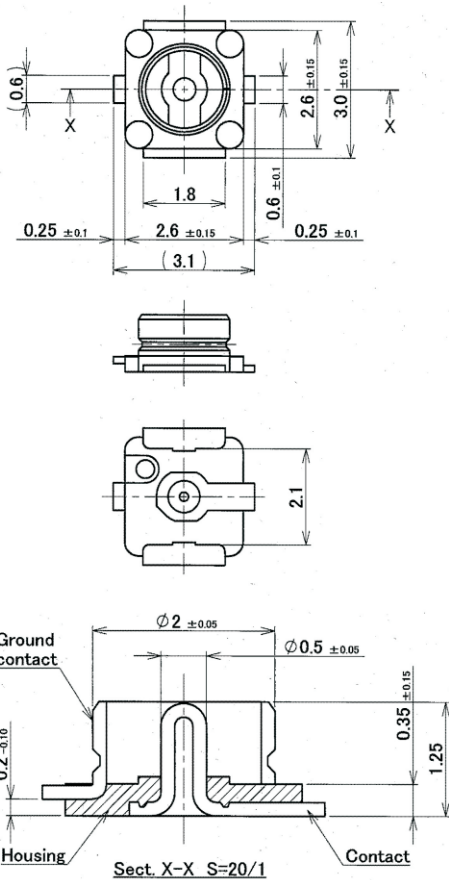
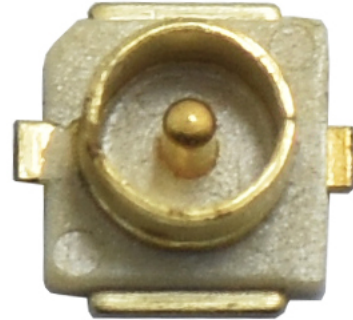


**MHF series micro coaxial connector**

KLS1-IPEX MHF series micro coaxial connector receptacle vertical

**Notes.**

1. Material:
- (1) Housing: LCP, UL94V-0, white
- (2) Contact: Brass, Au 0.1µm MIN. over NI 1.27 MIN.
- (3) Ground contact: Phosphor bronze, Au 0.05µm MIN. over NI 1.27 MIN.
2. Coplanarity: 0.1mm MAX.
3. Packing: Emboss tape.
4. Mating partner part no: 20278-\*\*\*R-\*\*, 20311-\*\*1R-08
5. This is "Pb-free" connector
6. RoHS compliant



RECOMMENDED FOOTPRINT PATTERN

**ORDER INFORMATION**

Product NO.: KLS1-IPEX-20279-001E-01

