

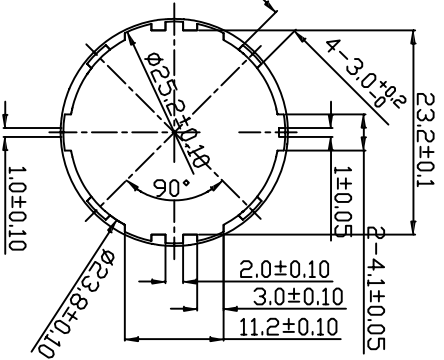
**PCB LAYOUT**

**Electrical Characteristics**

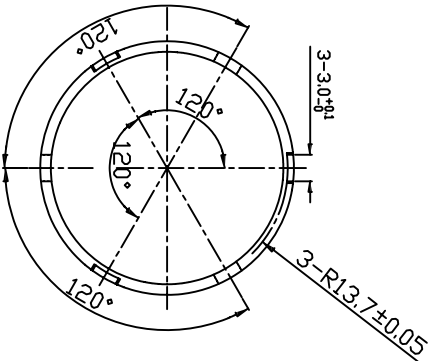
- Rated Power: DC5V 5mA Max.
- Output signal: A \ B Z signals
- Resolution: 16 Pulses 360°
- Phase difference: 0.08T Min.
- Sliding noise: 3ms Max.
- Contact Resistance: 1Ω Max.
- Insulation resistance: 100MΩ Min. at DC 250V
- Withstand voltage: AC300V / 1min

**Mechanical**

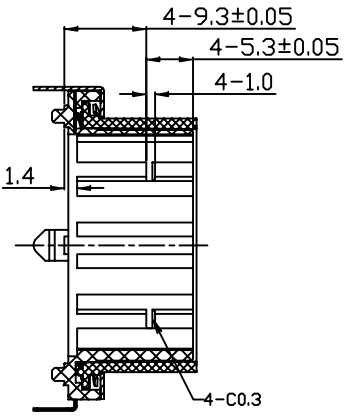
- Total rotation angle: 360°
- Rotation Torque: 170±50gf.cm
- Push-pull Strength of Shaft: 8.0kgf Min.
- Number of Detent(s)(Click): 32 detent/s Step angle: 11.25°±3°
- Shaft play in axial direction: 0.4mm Max.
- Shaft play in rotational wobble: 5° Max.
- Rotational Life: 30000±200 cycles
- Temp. Range: -40 ° C ~ + 85 ° C
- Soldering: 250 ° C 5sec. Max.



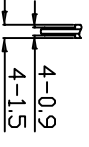
CENTER HOLE DETAIL



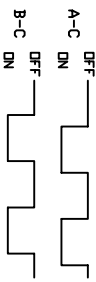
SHAFT DETAIL



SEC:Y-Y



TERMINAL DETAIL



OUTPUT SIGNAL (CW ROTATION)

**GENERAL TOLERANCE**

X. ±0.50	X. ±5°
.X ±0.38	.X ±3°
.XX ±0.25	.XX ±2°

**ANGLE TOLERANCE**

UNITS	PROJECTION
SHEET SIZE	A4
KLS P/N:	KLS4-RT3501

**PROJECTION**

mm	Description:
A4	35MM Ring type Encoder
KLS P/N:	KLS4-RT3501

**Description:**

35MM Ring type Encoder  
KLS4-RT3501

Draw by: Date	2015-09-01	
Check by: Date	2015-09-15	
SCALE	SHEET	OF

KLS ELECTRONIC CO., LTD.