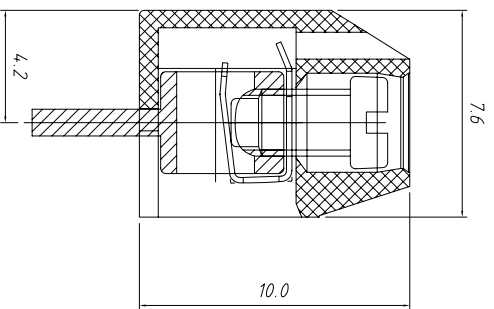
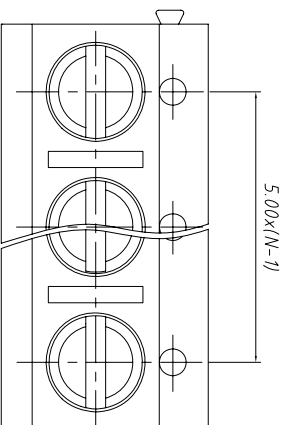
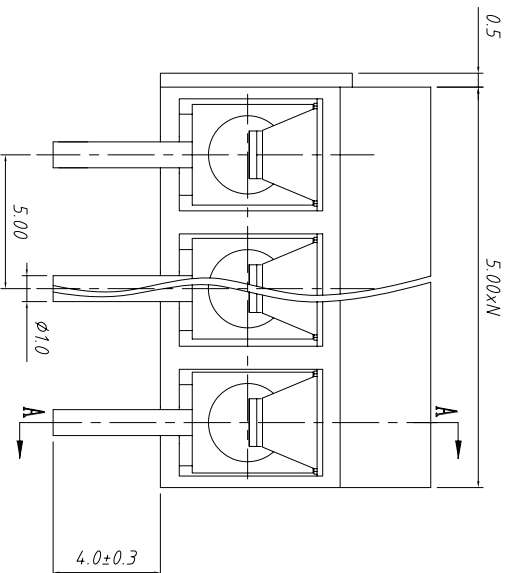


PCB LAYOUT



SECTION A-A

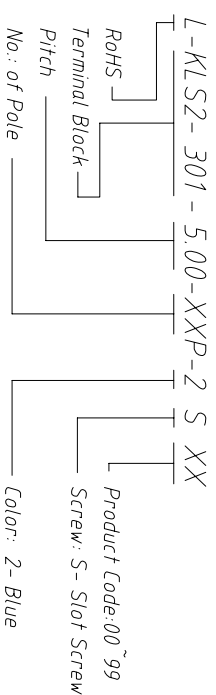


Material
 Screw: M2.5, Steel, Zn plated
 Shrapnel: Phosphor bronze, Nickel plated
 Pin header: Brass, Tin plated
 Housing: PA66 or PBT, UL94V-0

Electrical
 Rated voltage: 250V
 Rated current: 16A
 Wire range: 22~14AWG 1.5mm²
 Contact Resistance: 20 m Ω
 Insulation resistance: 500M Ω /DC500V
 Withstand voltage: AC2000V / 1min

Mechanical
 Temp. Range: -40 °C ~ +105 °C
 Soldering: 250 °C 5Sec. Max.
 Torque: 0.4 N.m (3.5Lb. in)
 Strip length: 4.5~5 mm

Order Information



GENERAL TOLERANCE		ANGLE TOLERANCE		PROJECTION		Description:
X: ±0.60	.X: ±0.38	.XX: ±0.25	X: ±5°	.X: ±3°	.XX: ±2°	
Draw By: Date	2015-09-01	Screw CONN TERM BLOCK 5.00MM		UNITS	mm	KLS2-301-5.00-XXP-2S
Check By: Date	2015-09-15	KLS P/N:		SHEET SIZE	A4	
SCALE	SHEET	OF	KLS ELECTRONIC CO., LTD.			