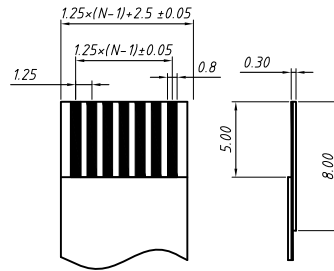
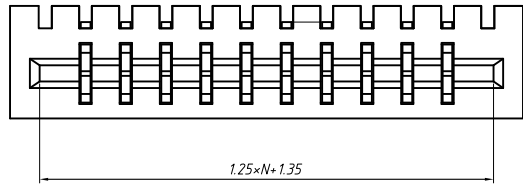
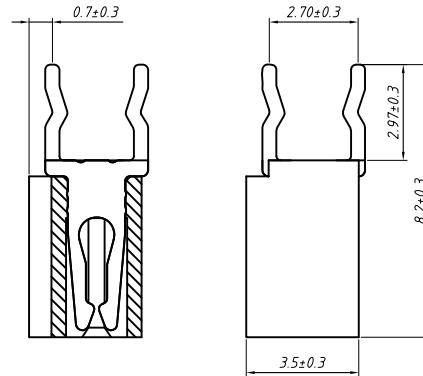
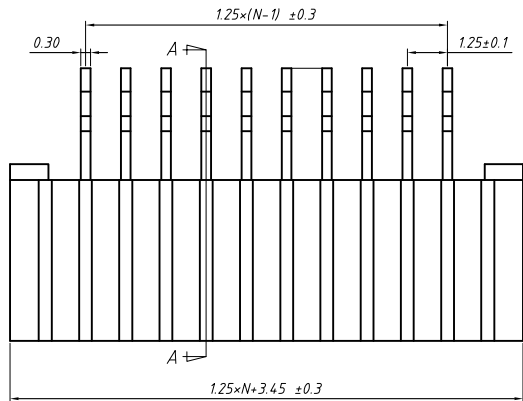


RoHS Compliant



Proper Cable



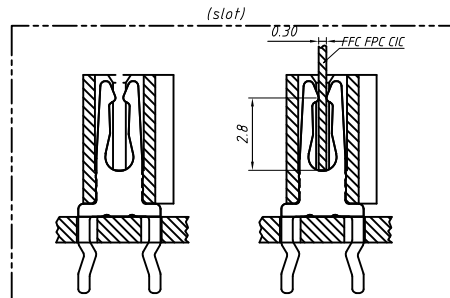
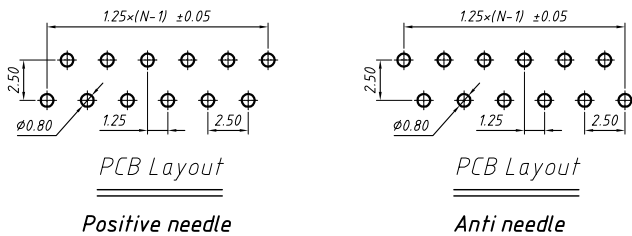
Material
 Housing: PA9T, UL 94V-0
 Contact: Phosphor Bronze, Tin Plated

Electrical
 Voltage rating: 50 V
 Current rating: 0.5 A
 Withstanding Voltage: 200 V
 Insulation resistance: 800M Ω .Min.
 Contact resistance: 4.0 m Ω .max.

Mechanical
 Temp. Range: -25 °C ~ + 85 °C

Order Information

L-KLS1- 220G - XX - S - P
 L: RoHS
 220G: Series No.
 XX: No. of pins (04 ~ 33 pins)
 S: Straight Pin
 P: Positive needle A: Anti needle



GENERAL TOLERANCE		ANGLE TOLERANCE		PROJECTION	Description:
X	±0.15	X	±5°	UNITS	mm
.X	±0.03	.X	±3°	SHEET SIZE	A4
.XX	±0.05	.XX	±2°	KLS P/N:	L-KLS1-220G-XX-S-x

Draw by: Date 2018-03-10
 Check by: Date 2018-03-10
 SCALE SHEET OF

KLS NingBo KLS ELECTRONIC CO.,LTD.