

1
RoHS Compliance

2

3

4

5

6

7

8

A

B

C

D

E

F

G

H

A

B

C

D

E

F

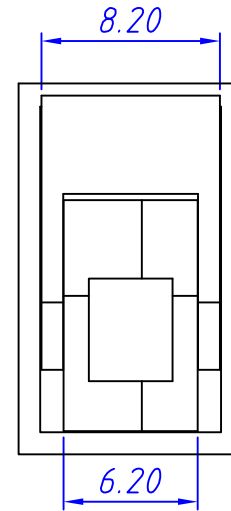
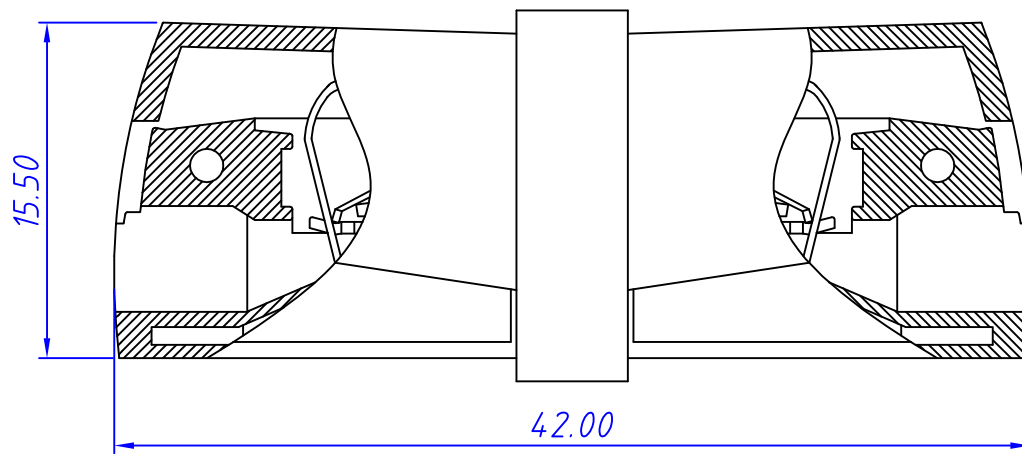
G

H

Electrical :
 Rated Voltage: 300V
 Rated Current: 22A
 Cross Section: 0.5-2.5mm² / 22-12AWG

Materials
 Insulation Materials: PA66,Gray,UL94V-0
 Contact: Brass,Nickel Plated
 Clamping: Stainless steel

Strip length : 9-11mm/0.35-0.43inch
 Operating Temperature: -40°C ~ +105°C



GENERAL TOLERANCE		ANGLE TOLERANCE	PROJECTION	Description:
X.	±0.20	±2°	UNITS	mm
.X	±0.10		SHEET SIZE	A4
.XX	±0.05		KLS P/N: L-KLS2-208C-1	

Draw: Daniel 2018-08-27
 Check: Daniel 2018-08-27
 SCALE SHEET

KLS NingBo KLS ELECTRONIC CO.,L TD.

1

2

3

4

5

6

7

8