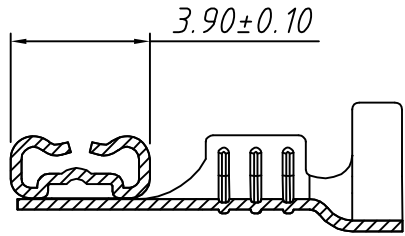
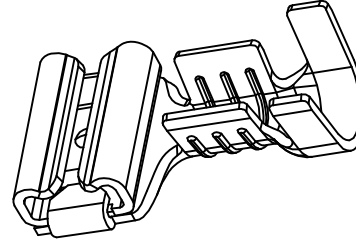


1
RoHS Compliant



SECTION A-A



Note:

1. Appearance: Terminal cannot be corrected, scratched or oxidized

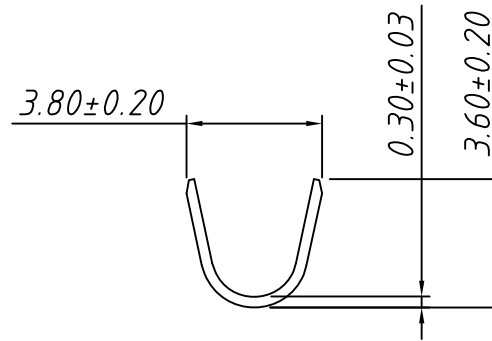
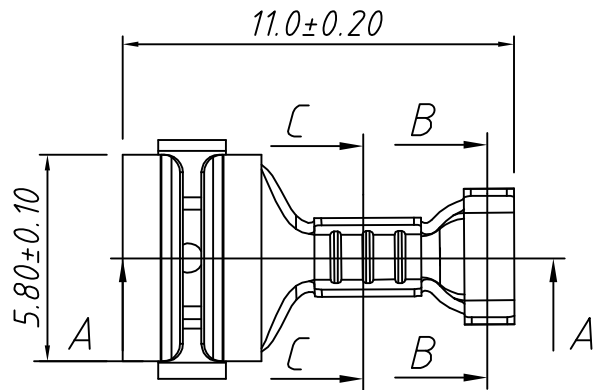
2. Material:

Brass C2680, T=0.30mm, Tin plating

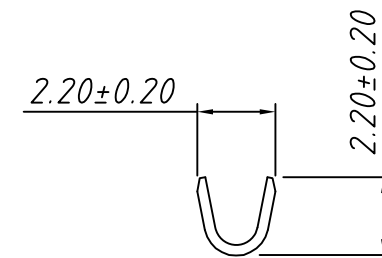
3.Q'TY: 5000PCS/REEL

4.Connectoin Table: W2.8×T0.5mm


5.Wire Range: 20AWG



SECTION B-B



SECTION C-C

TOLERANCE		PROJECTION	Description:		
0 - 3mm	±0.10	UNITS	mm		
3 - 6mm	±0.15	SHEET SIZE	A4		
6 - 10mm	±0.20	KLS P/N: KLSB-AFS06-1100500			
10 - 30mm	±0.25	 NingBo KLS ELECTRONIC CO.,L TD.			
Draw:	Daniel			ANGLE	±3°
Check:	Daniel			Data:	2019-04-10