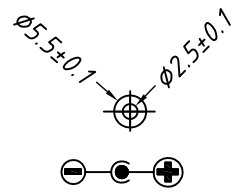
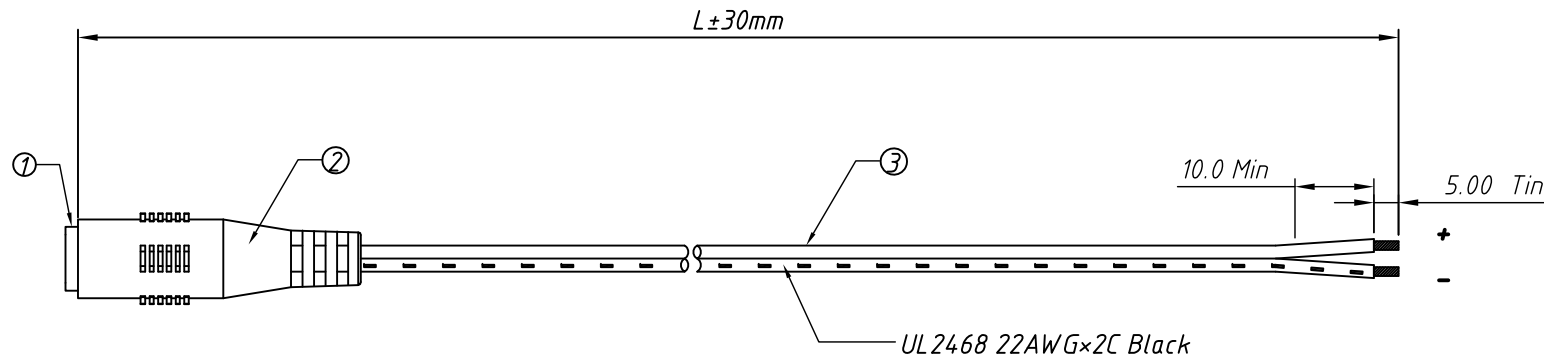


1
RoHS Compliant



Order Information

L-KLS17-ACS002- 22 B 1000

L: RoHS
 ACS002: 5.5×2.5 DC Female-Tin
 22: UL2468 22AWG×2C
 B: Color: B- Black W- White
 1000: Length 1000=1000mm
 1500=1500mm

Note
 1:Open/Short Text 100% Text.
 2:Text Volts/insulation: DC 5V / 500KΩ
 3: All must be meet on RoHS Compliant

| | | | | |
|------|-------------|------------------------|------|------|
| 3 | Cable | UL2468-22AWG×2C,Black | mm | L |
| 2 | PVC molding | PVC,BLACK | g | xx |
| 1 | Connector | 5.5×2.5 DC Female Jack | PCS | 1 |
| ITEM | PART NAME | Description | UNIT | Q'TY |

| | | | |
|--------------|------------|-----------------------------------|------------------------|
| | | Description: | |
| PROJECTION | | 5.5×2.5mm To Tin, DC Female Cable | |
| UNITS | mm | KLS P/N: | L-KLS17-ACS002-22BXXXX |
| SHEET SIZE | A4 | NingBo KLS ELECTRONIC CO.,L TD. | |
| Draw:Daniel | 2018-05-10 | | |
| Check:Daniel | 2018-05-17 | | |