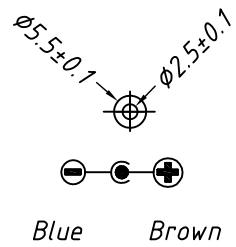
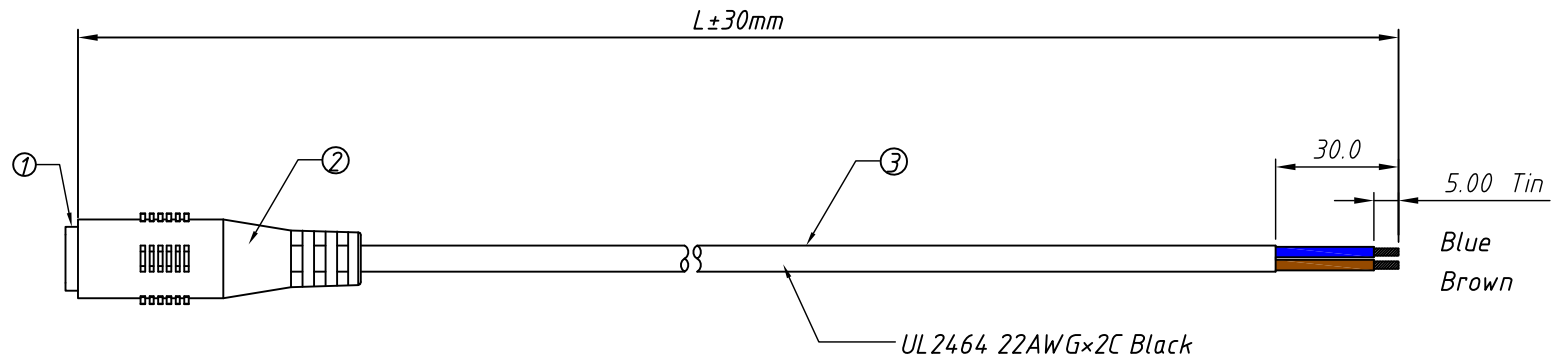


1  
RoHS Compliant



Order Information

L-KLS17-ARS002- 22 B 1000

L: RoHS  
 ARS002: 5.5x2.5 DC Female-Tin  
 22: UL2464 22AWGx2C  
 B: Color: B- Black W- White  
 1000: Length 1000=1000mm  
 1500=1500mm

Note  
 1:Open/Short Text 100% Text.  
 2:Text Volts/insulation: DC 5V / 500KΩ  
 3: All must be meet on RoHS Compliant

3	Cable	UL2464-22AWGx2C,Black	mm	L
2	PVC molding	PVC,BLACK	g	xx
1	Connector	5.5x2.5 DC Female Jack	PCS	1
ITEM	PART NAME	Description	UNIT	Q'TY

		Description:	
		5.5x2.5mm To Tin, DC Female Cable	
PROJECTION		KLS P/N:	L-KLS17-ARS002-22BXXXX
UNITS	mm		
SHEET SIZE	A4		
Draw:Daniel	2018-05-10	NingBo KLS ELECTRONIC CO.,L TD.	
Check:Daniel	2018-05-17		