

Order Information:

L-KLS7-LPB-M16-03-11B-N-G

L: RoHS

LED Push Button

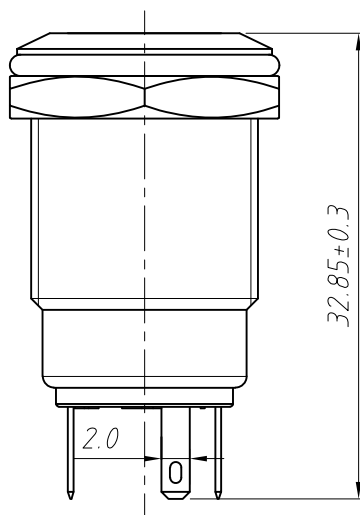
Mounting Hole: $\phi 16$ mm

Rating: 3A 250V AC

11B= 1No 1Nc

Non Lock Type

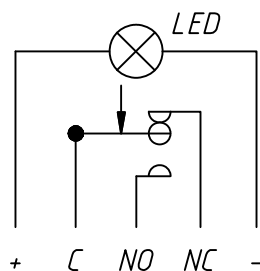
LED Color: G=Green



Technical requirements:

- Clean surface, even gloss
 - Clear logo, no dislocation, reprint
 - rated voltage: DC36V/2A
 - LED load: DC5V-48V(select)
 - working environment temperature : $-20^{\circ}\text{C}-55^{\circ}\text{C}$
 - action: Self-locking/self-reacting
 - action trip :2.5 mm
 - action : ≤ 4 N
 - connection form: wiring insert
 - Tightening torque :5-14 N.m
 - Switch combination :1 N01NC/2N02NC.
 - Appearance Material: press key: stainless steel; shell: stainless steel / brass nickel plating / aluminum alloy oxidation; shell: PBT; contact: silver alloy
 - unmarked tolerances according to GB/T 1804-m grade
- Electrical Characteristics:**
- waterproof
 - Led brightness: soft, service life :40000 h
 - contact resistance : ≤ 50 m Ω
 - insulation resistance : ≥ 50 M Ω
 - life: Electrical part: No abnormal action 50,000 times under rated load; Mechanical part: No abnormal action 200,000 times
 - loosening and shedding of 6. N,40

Electronical Schematic



LED Color

Red	Yellow	Blue	Orange	Green	White
R	Y	B	O	G	W

GENERAL TOLERANCE	PROJECTION		Description:
X. ± 0.50	UNITS	mm	LED push button switches
.X ± 0.25	SCALE	1:1	
.XX ± 0.10	Draw by:	Jenny	KLS P/N: L-KLS7-LPB-M16-03-11B-N-G
ANGLE TOLERANCE	Check by:		NingBo KLS ELECTRONIC CO.,L TD.
X. $\pm 5^{\circ}$	Date	2018-03-01	
.X $\pm 3^{\circ}$	SHEET	1 OF 1	
.XX $\pm 2^{\circ}$			