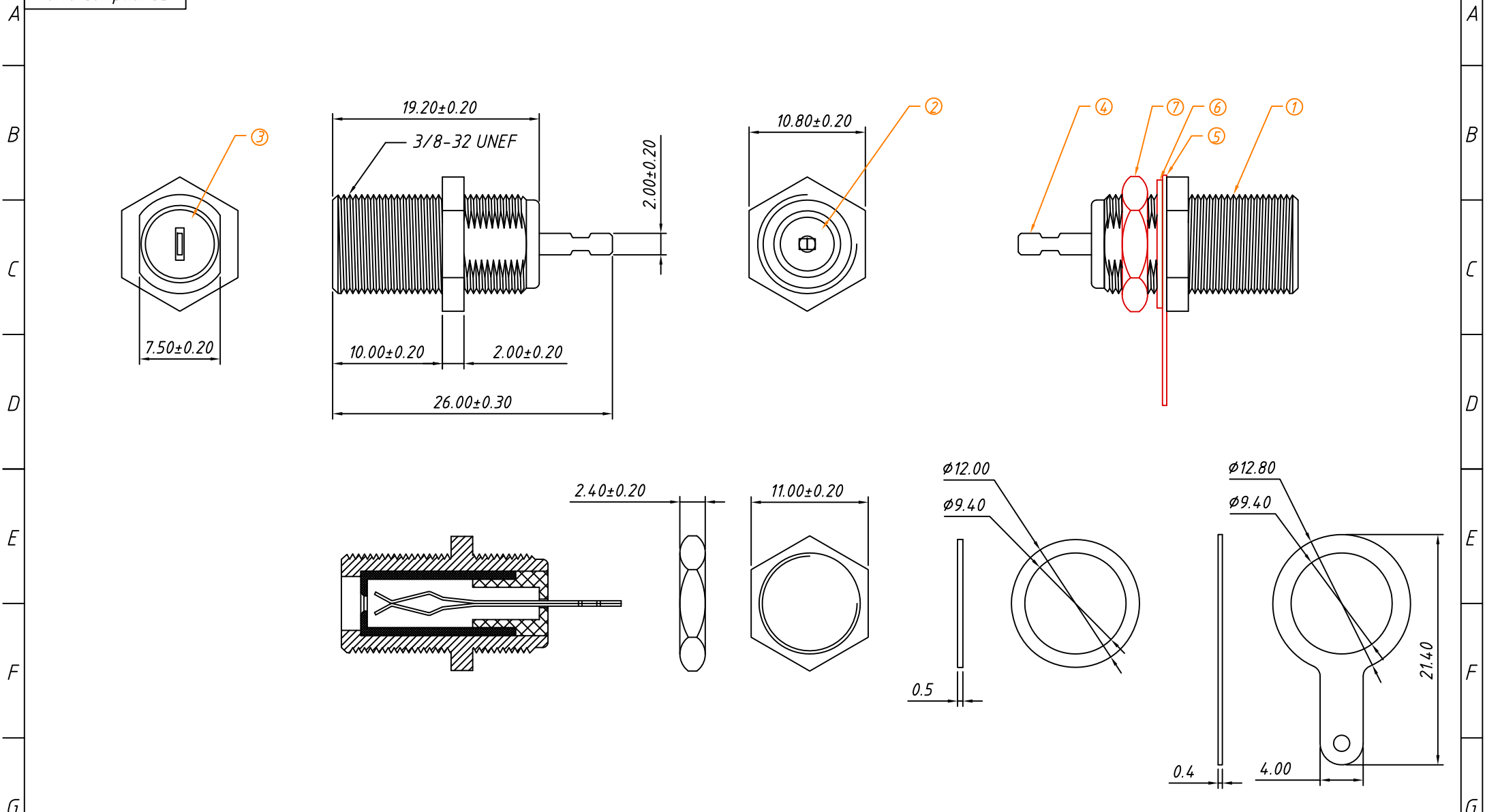


1
RoHS Compliance



7	Nut	Zinc,Nickel Plated	PCS	1
6	Washer	12.0x9.4x0.5mm Steel,Tin Plated	PCS	1
5	Solder Terminal	21.40x9.4x0.4mm Steel,Tin Plated	PCS	1
4	Contact	Brass,Tin Plated	PCS	1
3	Insulation	PE	PCS	1
2	Insulation	PE	PCS	1
1	Body	Zinc,Nickel Plated	PCS	1
ITEM	PART NAME	Description	UNIT	Q'TY

ANGLE TOLERANCE	PROJECTION	Description: F Type Connector, Female Jack, 75Ω, Panel Mount, Solder Tab		
±3°				
GENERAL TOLERANCE	UNITS	mm	KLS P/N:	L-KLS1-F008B
x.x ±0.30	SHEET SIZE	A4	1:2	NingBo KLS ELECTRONIC CO.,L TD.
x.xx ±0.20	Draw:	Jenny	2020-06-29	
x.xxx ±0.10	Check:	Daniel	2020-06-29	