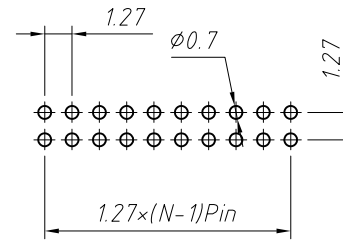
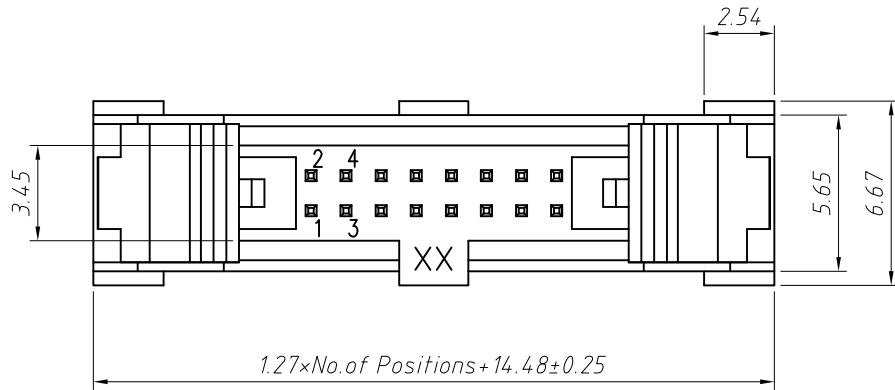


1 RoHS Compliance

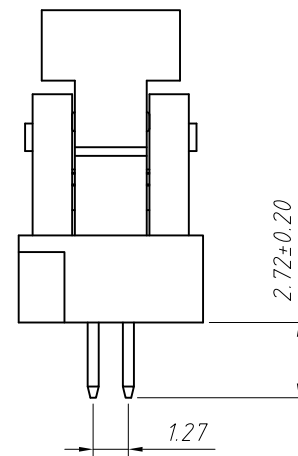
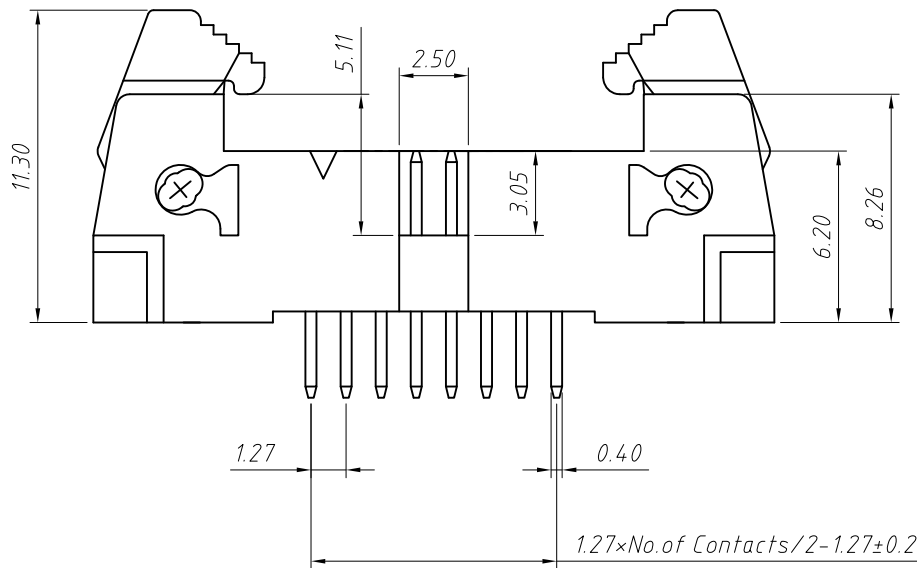


Recommended P.C.B Layout (Top Side)  
(PCB BOARD TOLERANCE ± 0.05)

**Material:**  
Housing: LCP+30%G.F UL 94V-0, Color: Black  
Contact: Brass, 1u" MIN Gold Plating Over All  
30u" MIN Nickel Underplating Over All

**Electrical Characteristics:**  
Rated Current: 1.0AMP  
Contact Resistance: 20mΩ Max  
Withstand Voltage: 500V AC/DC  
Insulator Resistance: 1000MΩ Min

**Mechanical**  
Operating Temperature: -40°C ~ +105°C  
Max. Processing Temp: 230°C for 30-60 seconds (260°C for 10 seconds)



**Order Information:**

L-KLS1-201CA-XX-S-B-C

L: RoHS

Box Header Series

201CA: 1.27mm Pitch

XX-No. of 06 ~ 64 pin

Type: S-Straight pin

R-Right Angle Pin T-SMT

Color: B-Black G-Gray

Material:

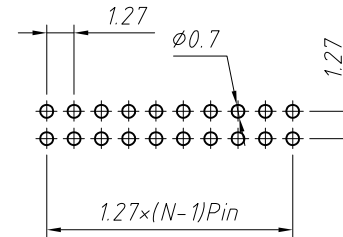
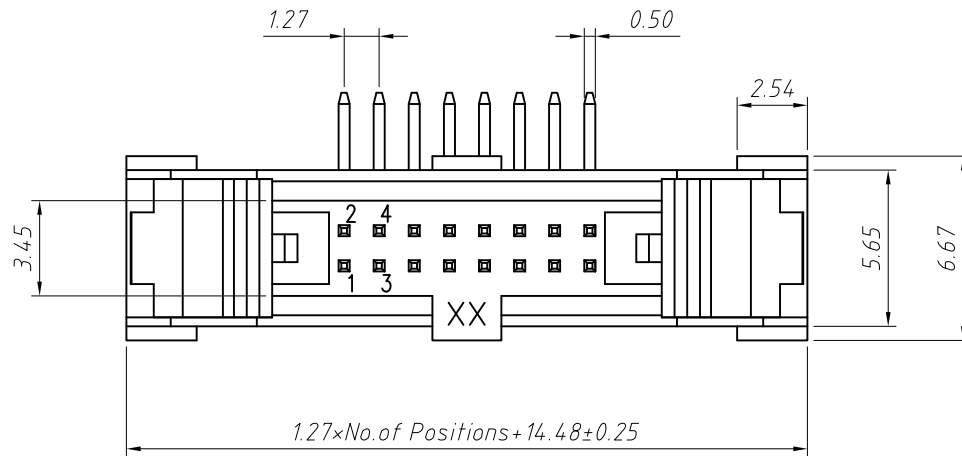
B-PA6T C=LCP D=PA9T

ANGLE TOLERANCE	PROJECTION	Description:
±3°		1.27mm Pitch Box Header Connector
GENERAL TOLERANCE	UNITS	mm
x.x ±0.30	SHEET SIZE	A4
x.xx ±0.20	Draw:	Daniel 2018-07-10
x.xxx ±0.10	Check:	Daniel 2018-07-10



NingBo KLS ELECTRONIC CO.,L TD.

RoHS Compliance

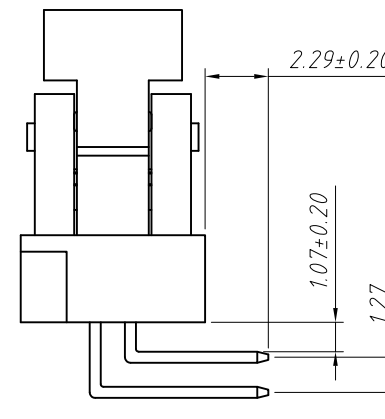
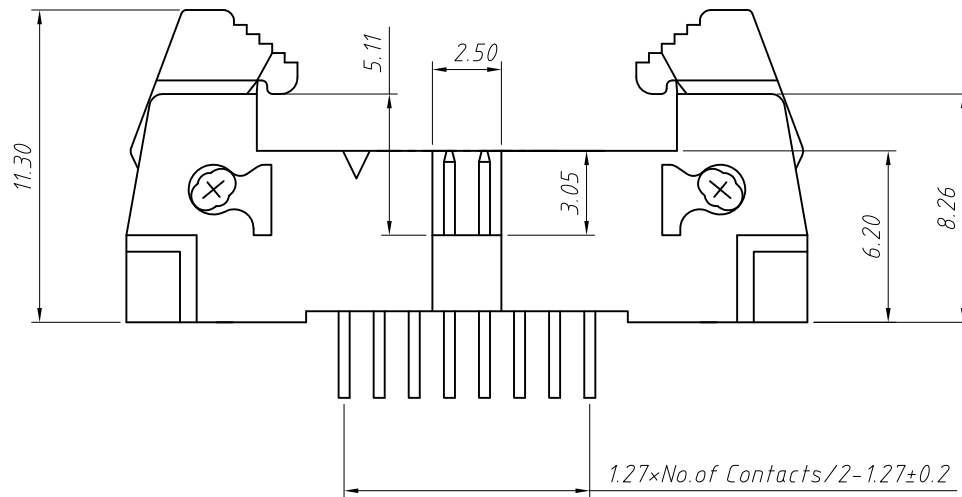


Recommended P.C.B Layout (Top Side)  
(PCB BOARD TOLERANCE±0.05)

**Material:**  
Housing:LCP+30%G.F UL 94V-0,Color:Black  
Contact:Brass,1u" MIN Gold Plating Over All  
30u" MIN Nickel Underplating Over All

**Electrical Characteristics:**  
Rated Current: 1.0AMP  
Contact Resistance: 20mΩ Max  
Withstand Voltage: 500V AC/DC  
Insulator Resistance: 1000MΩ Min

**Mechanical**  
Operating Temperature: -40°C~+105°C  
Max.Processing Temp:230°C for 30-60 seconds (260°C for 10 seconds)



**Order Information:**  
L-KLS1-201CA-XX-R-B-C  
L: RoHS  
Box Header Series  
201CA:1.27mm Pitch  
XX-No.of 06~64 pin  
Type:S-Straight pin  
R-Right Angle Pin T-SMT  
Color:B-Black G-Gray  
Material:  
B=PA6T C=LCP D=PA9T

ANGLE TOLERANCE	PROJECTION	Description:	
±3°		1.27mm Pitch Box Header Connector	
GENERAL TOLERANCE	UNITS	mm	KLS P/N:
x.x ±0.30	SHEET SIZE	A4	L-KLS1-201CA-XX-R-B-C
x.xx ±0.20	Draw:	Daniel	2018-07-10
x.xxx ±0.10	Check:	Daniel	2018-07-10



NingBo KLS ELECTRONIC CO.,LTD.

1  
RoHS Compliance

2 3 4 5 6 7 8

A

B

C

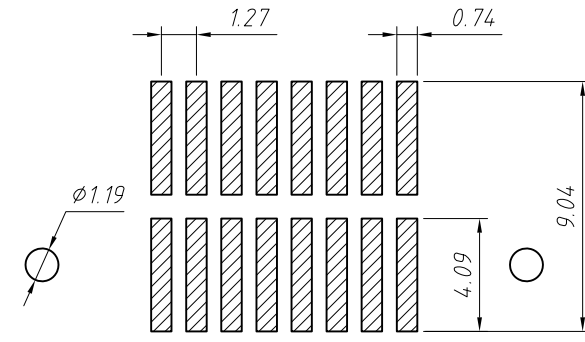
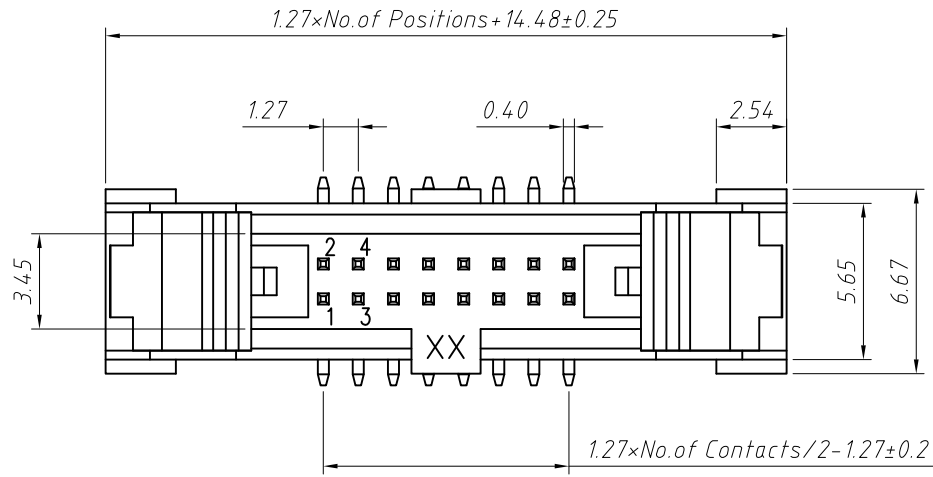
D

E

F

G

H

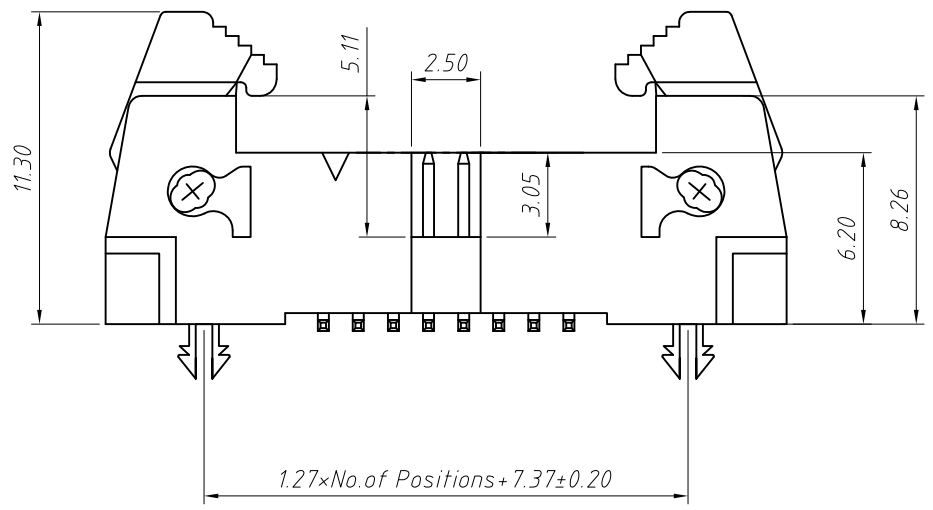


Recommended P.C.B Layout (Top Side)  
(PCB BOARD TOLERANCE  $\pm 0.05$ )

**Material:**  
Housing: LCP+30%G.F UL94V-0, Color: Black  
Contact: Brass, 1u" MIN Gold Plating Over All  
30u" MIN Nickel Underplating Over All

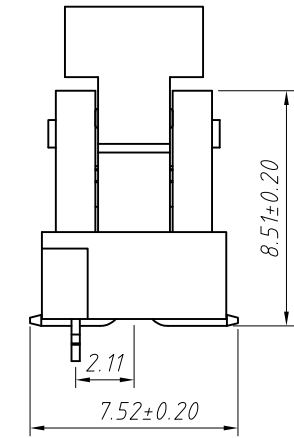
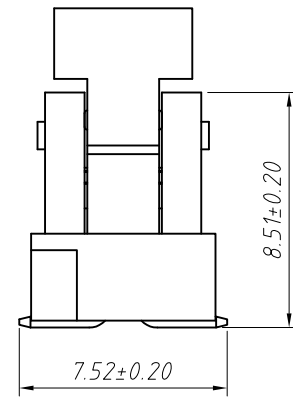
**Electrical Characteristics:**  
Rated Current: 1.0AMP  
Contact Resistance: 20m $\Omega$  Max  
Withstand Voltage: 500V AC/DC  
Insulator Resistance: 1000M $\Omega$  Min

**Mechanical**  
Operating Temperature:  $-40^{\circ}\text{C} \sim +105^{\circ}\text{C}$   
Max. Processing Temp:  $230^{\circ}\text{C}$  for 30-60 seconds ( $260^{\circ}\text{C}$  for 10 seconds)



T=Without Post

T3=With Post



**Order Information:**  
L-KLS1-201CA-XX-T-B-C-T  
L: RoHS  
Box Header Series  
201CA: 1.27mm Pitch  
XX-No. of 06 ~ 64 pin  
SMT: T=Without Post  
T3=With Post  
Color: B-Black G-Gray  
Material:  
B=PA6T C=LCP D=PA9TPacking:  
T=Tube P=Tube+Cap R=Reel+Cap

ANGLE TOLERANCE	PROJECTION	Description:	
$\pm 3^{\circ}$		1.27mm Pitch Box Header Connector	
GENERAL TOLERANCE	UNITS	mm	KLS P/N:
x.x $\pm 0.30$	SHEET SIZE	A4	L-KLS1-201CA-XX-T-B-C-T
x.xx $\pm 0.20$	Draw:	Daniel	2018-07-10
x.xxx $\pm 0.10$	Check:	Daniel	2018-07-10

NingBo KLS ELECTRONIC CO.,L TD.

1 2 3 4 5 6 7 8