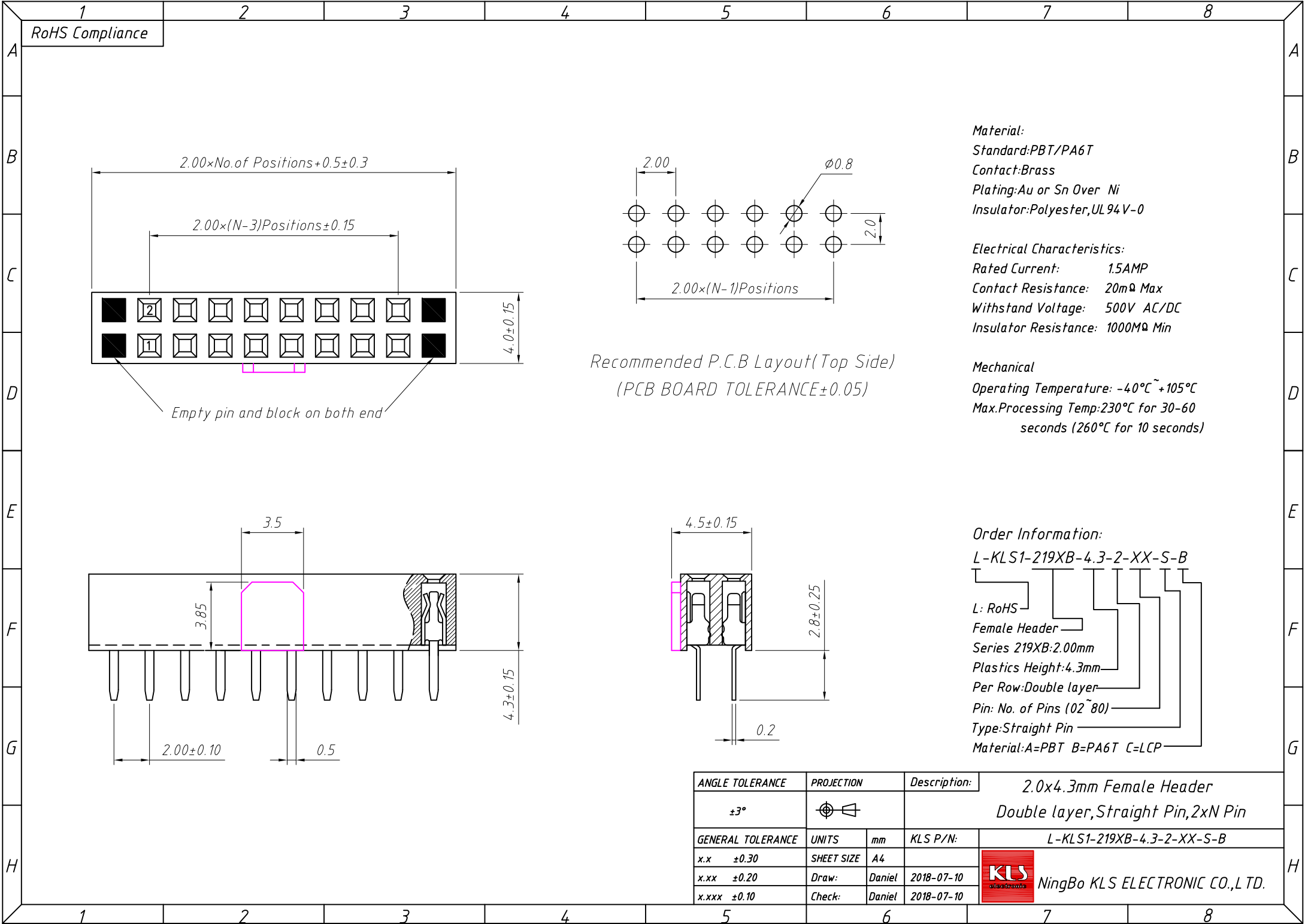


1  
RoHS Compliance



Recommended P.C.B Layout (Top Side)  
(PCB BOARD TOLERANCE  $\pm 0.05$ )

**Material:**  
Standard: PBT/PA6T  
Contact: Brass  
Plating: Au or Sn Over Ni  
Insulator: Polyester, UL94V-0

**Electrical Characteristics:**  
Rated Current: 1.5AMP  
Contact Resistance:  $20m\Omega$  Max  
Withstand Voltage: 500V AC/DC  
Insulator Resistance:  $1000M\Omega$  Min

**Mechanical**  
Operating Temperature:  $-40^{\circ}C \sim +105^{\circ}C$   
Max. Processing Temp:  $230^{\circ}C$  for 30-60 seconds ( $260^{\circ}C$  for 10 seconds)

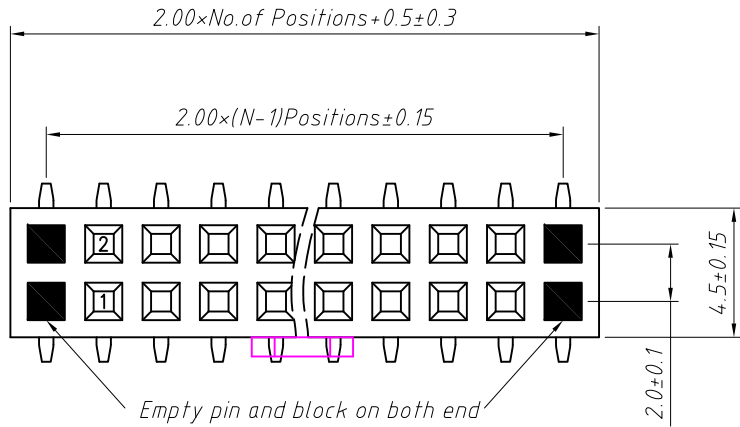
**Order Information:**  
L-KLS1-219XB-4.3-2-XX-S-B

- L: RoHS
- Female Header
- Series 219XB: 2.00mm
- Plastics Height: 4.3mm
- Per Row: Double layer
- Pin: No. of Pins (02~80)
- Type: Straight Pin
- Material: A=PBT B=PA6T C=LCP

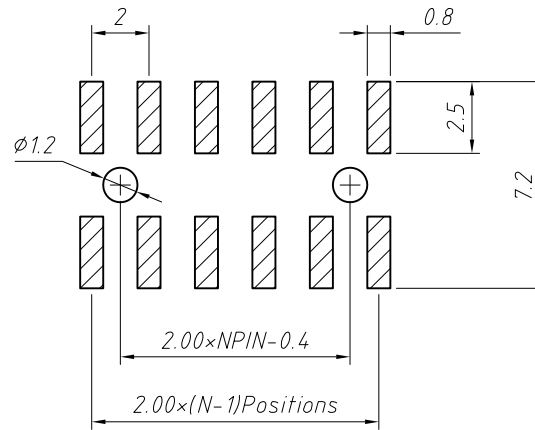
ANGLE TOLERANCE	PROJECTION	Description:	2.0x4.3mm Female Header Double layer, Straight Pin, 2xN Pin
$\pm 3^{\circ}$			
GENERAL TOLERANCE	UNITS	mm	KLS P/N: L-KLS1-219XB-4.3-2-XX-S-B
x.x $\pm 0.30$	SHEET SIZE	A4	
x.xx $\pm 0.20$	Draw:	Daniel	2018-07-10
x.xxx $\pm 0.10$	Check:	Daniel	2018-07-10



RoHS Compliance



Recommended P.C.B Layout (Top Side)  
(PCB BOARD TOLERANCE  $\pm 0.05$ )



Material:  
Standard: PA6T  
Contact: Brass  
Contact plating: Au or Sn over Ni  
Nickel Insulator: Polyester, UL 94V-0

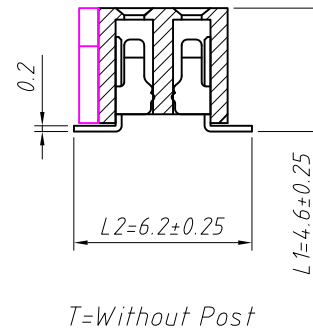
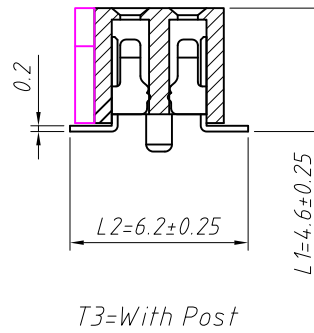
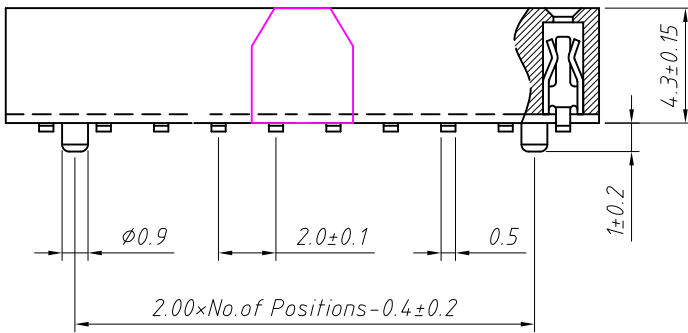
Electrical Characteristics:  
Rated Current: 1.5AMP  
Contact Resistance:  $20m\Omega$  Max  
Withstand Voltage: 500V AC/DC  
Insulator Resistance:  $1000M\Omega$  Min

Mechanical  
Operating Temperature:  $-40^\circ\text{C} \sim +105^\circ\text{C}$   
Max. Processing Temp:  $230^\circ\text{C}$  for 30-60 seconds ( $260^\circ\text{C}$  for 10 seconds)

Order Information:

L-KLS1-219XB-4.3-2-XX-T-L1xL2-B-R

L: RoHS  
Pin Header Series  
219XB: 2.00mm  
Plastics Height: 4.3mm  
Per Row: Double layer  
Pin: No. of Pins (02~80)  
SMT: T=Without Post, T3=With Post  
Size: L1xL2  
Material: A=PBT B=PA6T C=LCP  
Packing:  
A=Tray T=Tube M=Reel+Mylar  
P=Tube+Cap R=Reel+Cap



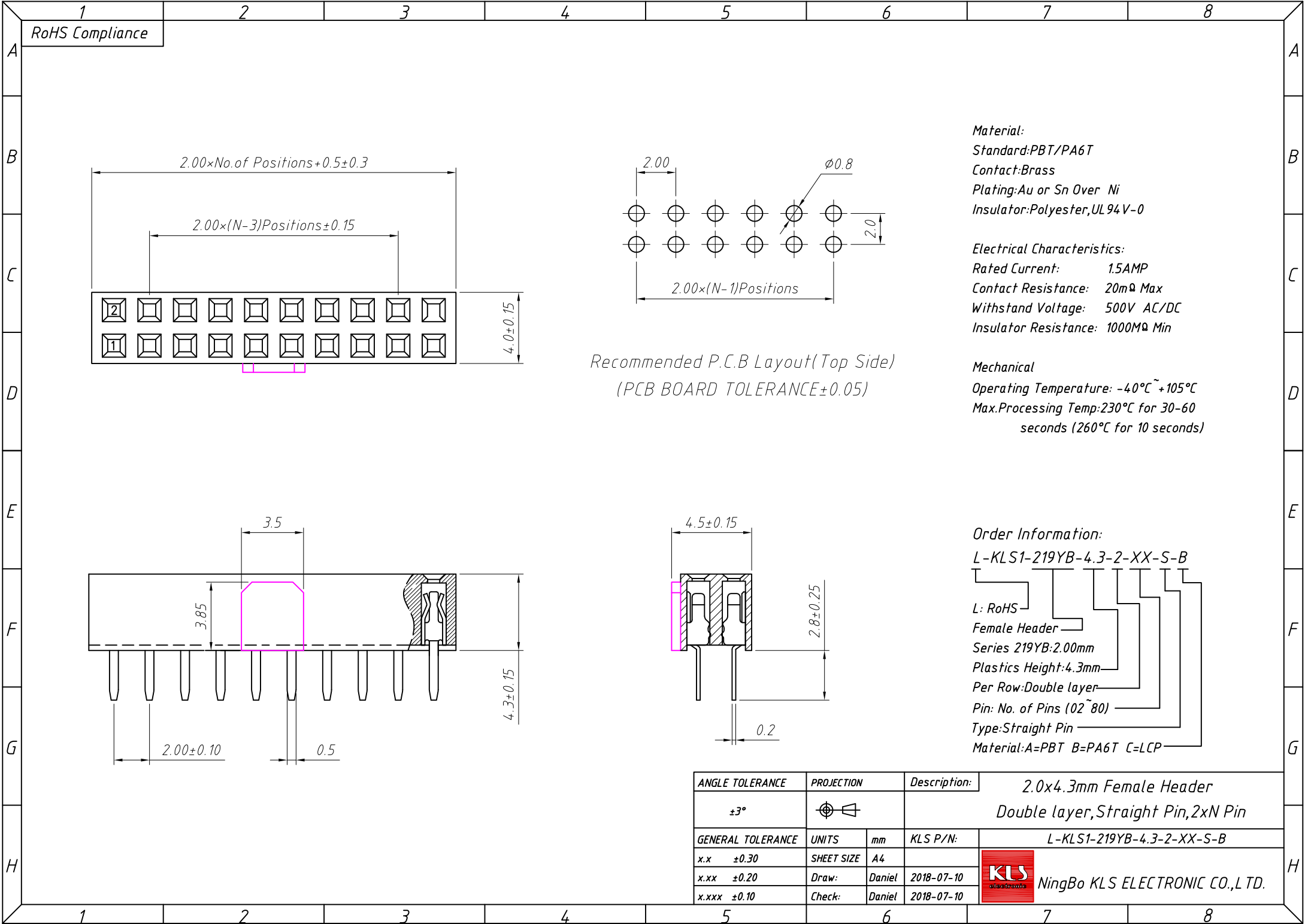
Dimension antitheses list (mm)			
ITEM	L1	L2	Plastic Height
Standard	4.60	6.20	4.30
Nonstandard	---	---	---

ANGLE TOLERANCE	PROJECTION	Description:
$\pm 3^\circ$		2.00mm Female Header Double layer, SMT Pin, 2xN Pin
GENERAL TOLERANCE	UNITS	mm
x.x	$\pm 0.30$	A4
x.xx	$\pm 0.20$	Daniel
x.xxx	$\pm 0.10$	Daniel
KLS P/N:		L-KLS1-219XB-4.3-2-XX-T-L1xL2-B-R
SHEET SIZE		A4
Draw:		Daniel
Check:		Daniel
Date:		2018-07-10
Date:		2018-07-10



NingBo KLS ELECTRONIC CO.,LTD.

1  
RoHS Compliance



Recommended P.C.B Layout (Top Side)  
(PCB BOARD TOLERANCE  $\pm 0.05$ )

**Material:**  
Standard: PBT/PA6T  
Contact: Brass  
Plating: Au or Sn Over Ni  
Insulator: Polyester, UL94V-0

**Electrical Characteristics:**  
Rated Current: 1.5AMP  
Contact Resistance:  $20m\Omega$  Max  
Withstand Voltage: 500V AC/DC  
Insulator Resistance:  $1000M\Omega$  Min

**Mechanical**  
Operating Temperature:  $-40^{\circ}C \sim +105^{\circ}C$   
Max. Processing Temp:  $230^{\circ}C$  for 30-60 seconds ( $260^{\circ}C$  for 10 seconds)

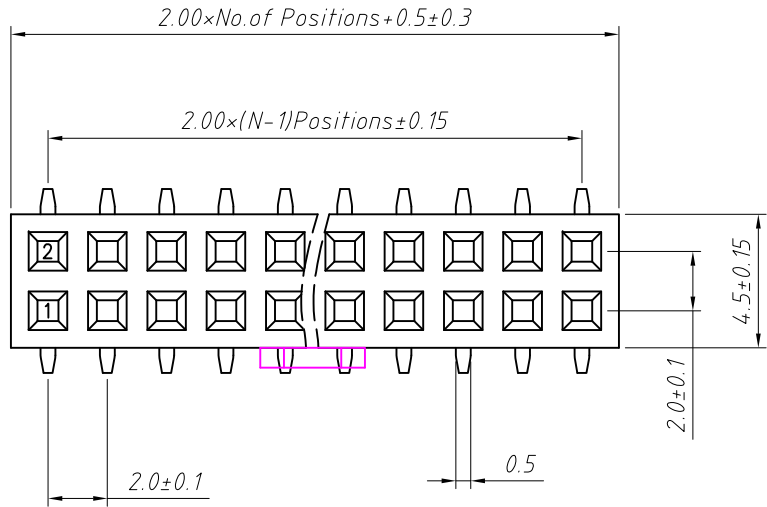
**Order Information:**  
L-KLS1-219YB-4.3-2-XX-S-B

- L: RoHS
- Female Header
- Series 219YB: 2.00mm
- Plastics Height: 4.3mm
- Per Row: Double layer
- Pin: No. of Pins (02~80)
- Type: Straight Pin
- Material: A=PBT B=PA6T C=LCP

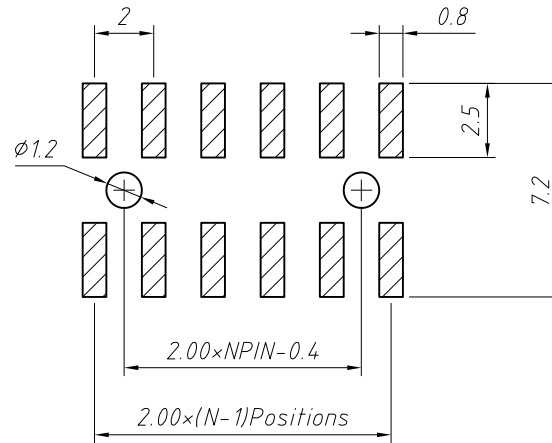
ANGLE TOLERANCE	PROJECTION	Description:	2.0x4.3mm Female Header Double layer, Straight Pin, 2xN Pin
$\pm 3^{\circ}$			
GENERAL TOLERANCE	UNITS	mm	KLS P/N: L-KLS1-219YB-4.3-2-XX-S-B
x.x $\pm 0.30$	SHEET SIZE	A4	
x.xx $\pm 0.20$	Draw:	Daniel	2018-07-10
x.xxx $\pm 0.10$	Check:	Daniel	2018-07-10



1 RoHS Compliance



Recommended P.C.B Layout (Top Side)  
(PCB BOARD TOLERANCE ± 0.05)



Material:  
Standard: PA6T  
Contact: Brass  
Contact plating: Au or Sn over Ni  
Nickel Insulator: Polyester, UL 94V-0

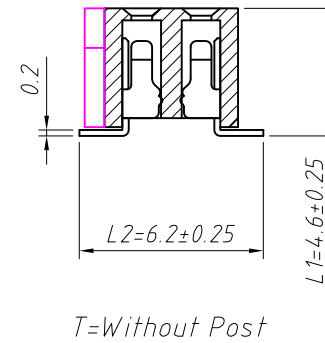
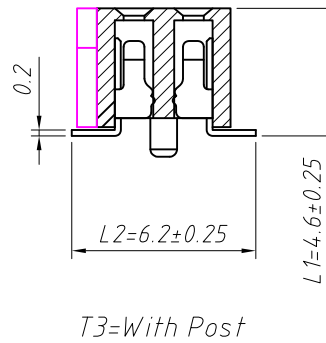
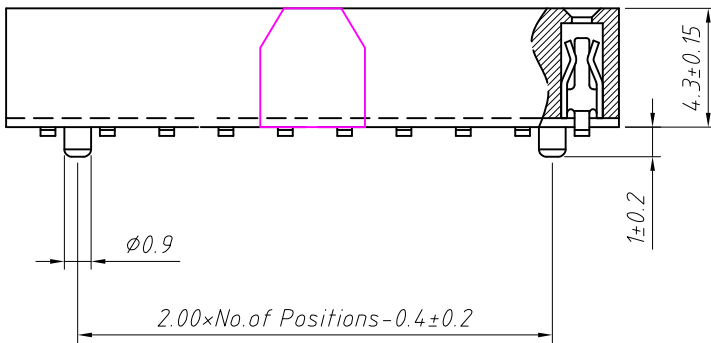
Electrical Characteristics:  
Rated Current: 1.5AMP  
Contact Resistance: 20mΩ Max  
Withstand Voltage: 500V AC/DC  
Insulator Resistance: 1000MΩ Min

Mechanical  
Operating Temperature: -40°C ~ +105°C  
Max. Processing Temp: 230°C for 30-60 seconds (260°C for 10 seconds)

Order Information:

L-KLS1-219YB-4.3-2-XX-T-L1xL2-B-R

L: RoHS  
Pin Header Series: 219YB: 2.00mm  
Plastics Height: 4.3mm  
Per Row: Double layer  
Pin: No. of Pins (02~80)  
SMT: T=Without Post, T3=With Post  
Size: L1xL2  
Material: A=PBT B=PA6T C=LCP  
Packing:  
A=Tray T=Tube M=Reel+Mylar  
P=Tube+Cap R=Reel+Cap



Dimension antitheses list (mm)			
ITEM	L1	L2	Plastic Height
Standard	4.60	6.20	4.30
Nonstandard	---	---	---

ANGLE TOLERANCE	PROJECTION	Description:
±3°		2.00mm Female Header Double layer, SMT Pin, 2xN Pin
GENERAL TOLERANCE	UNITS	mm
x.x ±0.30	SHEET SIZE	A4
x.xx ±0.20	Draw:	Daniel 2018-07-10
x.xxx ±0.10	Check:	Daniel 2018-07-10



NingBo KLS ELECTRONIC CO., L.TD.