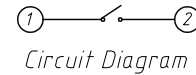
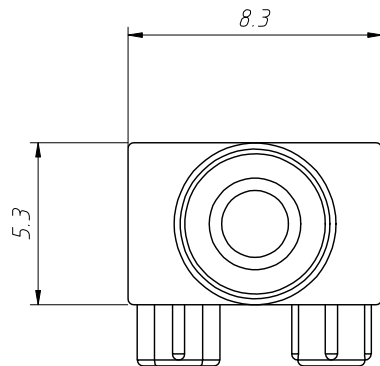
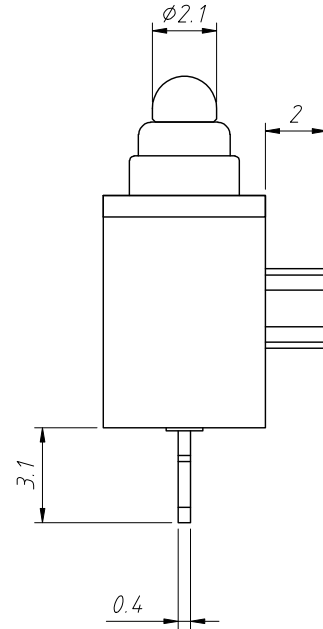
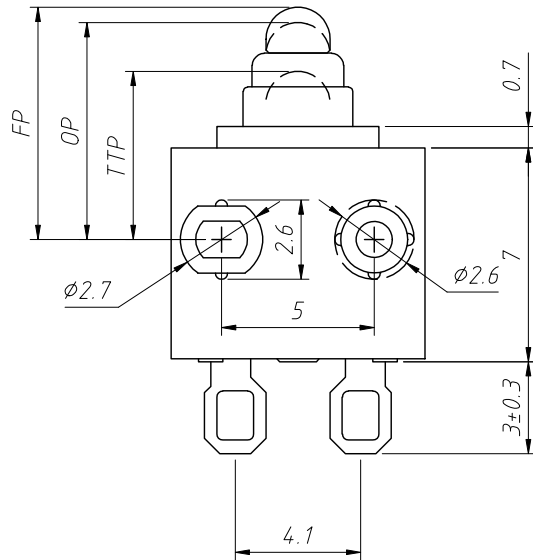


1 RoHS Compliance



Material:

- 1.Stem:PPA,Black
- 2.Plastic cover:PA66,Black
- 3.Moving spring:Complex silver copper  
 $\delta=0.07$ ,Silver plating
- 4.Housing:PPA,Black
- 5.Lug:Brass  $\delta=0.4$ ,Silver plating
- 6.Spring:Stainless steel  $\phi=0.15$
- 7.Waterproof sleeve: silica gel

Electrical Characteristics:

- Rating:0.1A 12VDC
- Contact Resistance:500m $\Omega$  MAX
- Insulation Resistance:DC 500V 100M $\Omega$  Min
- Dielectric strength:AC100V (50-60Hz)1minute
- Degree of Protection:IP67
- Electrical life:100000 cycles Min
- Working temperature: -10°C To +60°C

Movement characteristics

Item		Parameter
FP	Free Position	7.8 MAX
OP	Operating Position	7.1±0.3
TTP	Total Travel Position	5.5 MAX
OF	Operating Force	120±30 gf

ANGLE TOLERANCE	PROJECTION	Description:	Waterproof Micro Switches	
±3°				
GENERAL TOLERANCE	UNITS	mm	KLS P/N:	L-KLS7-G304-150V00E40
x.x ±0.30	SHEET SIZE	A4		
x.xx ±0.20	Draw:	Daniel	2022-04-01	NingBo KLS ELECTRONIC CO.,L TD.
x.xxx ±0.10	Check:	Daniel	2022-04-01	