

AV-A6038



SIZE:

60x60x38mm

construction:

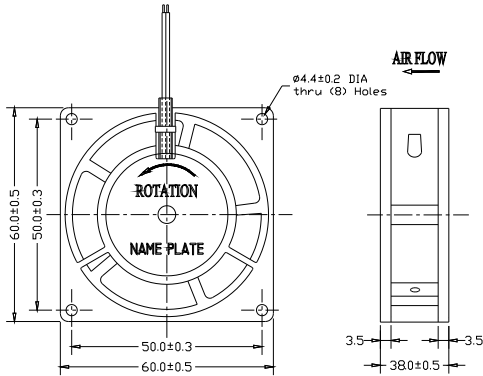
- Die -cast aluminum housing
- Glass fiber reinforced plastic: Impeller
- Shaded pole motor
- Impedance protected
- Leader wire or terminal is available

OPERATING TEMPERATURE:

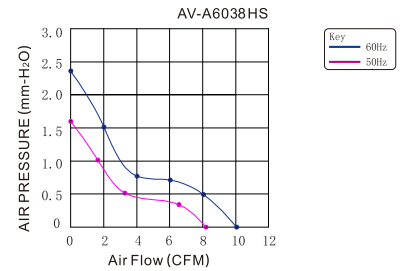
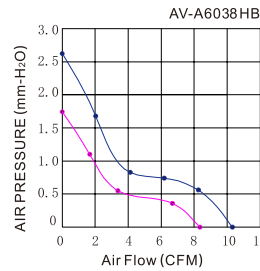
Ball bearing -30°C to +75°C
Sleeve bearing -10°C to +70°C

Dimensions Drawing

Unit:mm



Characteristic Curves



Specifications

Model	Bearing Type	Rated Voltage	Fre-	Current	Power	Speed	Noise Level	Air Flow		Static Pressure	Weight
		VAC	Hz	A	W	RPM	dBA	M ³ /min	CFM	mmH ₂ O	g
AV-A6038HS10	Sleeve	100~125	50/60	0.035/0.042	5/4	2550/3100	27/28	13.8/17.5	8.1/10.3	1.7/2.8	145
AV-A6038HS20	Sleeve	220~240	50/60	0.022/0.020	5/4	2550/3100	27/28	13.8/17.5	8.1/10.3	1.7/2.8	145
AV-A6038HB10	Ball	100~125	50/60	0.035/0.042	5/4	2550/3100	27/28	13.8/17.5	8.1/10.3	1.7/2.8	145
AV-A6038HB20	Ball	220~240	50/60	0.022/0.020	5/4	2550/3100	27/28	13.8/17.5	8.1/10.3	1.7/2.8	145