

AV-A9238



SIZE:

92x92x38mm

construction:

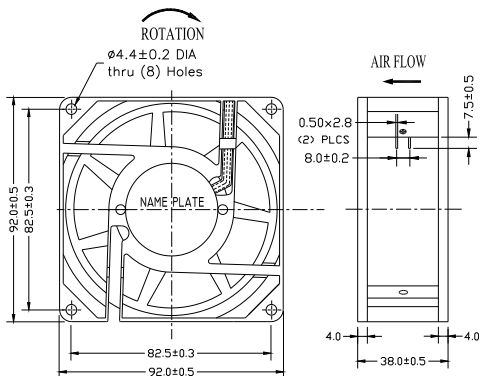
- Die -cast aluminum housing
- Glass fiber reinforced plastic: Impeller
- Shaded pole motor
- Impedance protected
- Leader wire or terminal is available

OPERATING TEMPERATURE:

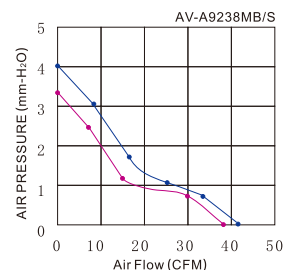
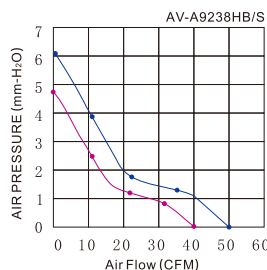
Ball bearing -30°C to +75°C
Sleeve bearing -10°C to +70°C

Dimensions Drawing

Unit:mm



Characteristic Curves



Specifications

Model	Bearing Type	Rated Voltage	Fre-	Current	Power	Speed	Noise Level	Air Flow		Static Pressure	Weight
		VAC	Hz	A	W	RPM	dBA	M ³ /min	CFM	mmH ₂ O	g
AV-A9238HB10	Ball	115	50/60	0.16/0.14	16/14	2400/2900	32/36	1.22/1.42	43/50	4.50/5.5	350
AV-A9238HS10	Sleeve	115	50/60	0.16/0.14	16/14	2400/2900	32/36	1.22/1.42	43/50	4.50/5.5	350
AV-A9238MB10	Ball	115	50/60	0.13/0.11	14/12	2200/2400	27/31	0.79/0.91	28/32	3.5/4.2	350
AV-A9238MS10	Sleeve	115	50/60	0.13/0.11	14/12	2200/2400	27/31	0.79/0.91	28/32	3.5/4.2	350
AV-A9238LB10	Ball	115	50/60	0.10/0.09	10/9	1800/1600	20/18	0.68/0.65	24/23	3.0/2.7	350
AV-A9238LS10	Sleeve	115	50/60	0.10/0.09	10/9	1800/1600	20/18	0.68/0.65	24/23	3.0/2.7	350
AV-A9238HB20	Ball	220~240	50/60	0.12/0.11	18/16	2400/2900	32/36	1.22/1.42	43/50	4.50/5.5	350
AV-A9238HS20	Sleeve	220~240	50/60	0.12/0.11	18/16	2400/2900	32/36	1.22/1.42	43/50	4.50/5.5	350
AV-A9238MB20	Ball	220~240	50/60	0.09/0.08	14/12	2200/2400	27/31	0.79/0.91	28/32	3.5/4.2	350
AV-A9238MS20	Sleeve	220~240	50/60	0.09/0.08	14/12	2200/2400	27/31	0.79/0.91	28/32	3.5/4.2	350
AV-A9238LB20	Ball	220~240	50/60	0.08/0.07	10/9	1800/1600	20/18	0.68/0.65	24/23	3.0/2.7	350
AV-A9238LS20	Sleeve	220~240	50/60	0.08/0.07	10/9	1800/1600	20/18	0.68/0.65	24/23	3.0/2.7	350
AV-A9238HB30	Ball	380	50	0.09	17	2400	32	1.22	43	4.5	350
AV-A9238HS30	Sleeve	380	50	0.09	17	2400	32	1.22	43	4.5	350