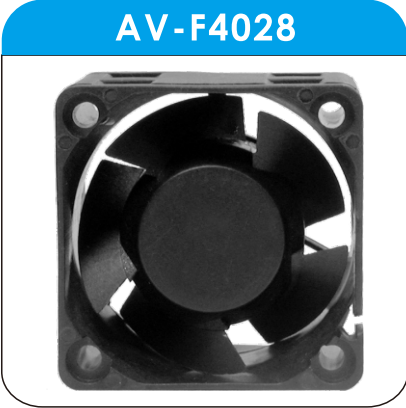


AV-F4028



SIZE:

40x40x28mm

construction:

Glass Fiber reinforced plastic;
Impeller and housing PBT

OPERATING TEMPERATURE:

Sleeve bearing -10°C to +70°C

INSULATION RESISTANCE:

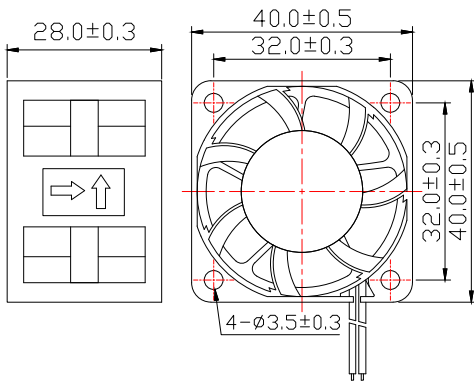
10meg Ohm min, at 500 VDC
(between frame and terminal)

DIELECTRIC STRENGTH:

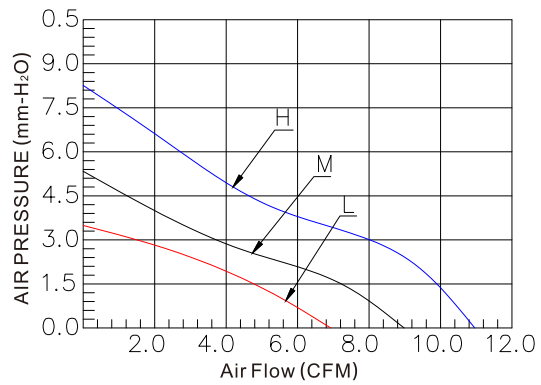
5mA max, at 500 VAC 60Hz one minute
(between frame and terminal)

Dimensions Drawing

Unit:mm



Characteristic Curves



Specifications

Carton Specifications (Unit: cm):36x32x23 QTY:600pcs GW:15.83Kg

Model	Bearing Type	Rated Voltage	Operation Voltage	Current	Speed	Air Flow	Static Pressure	Noise Level	Weight
		VDC	VDC						
AV-F4028HS	Sleeve	12	10.8~13.2	0.18	8000	10.27	8.37	38.76	25
AV-F4028MS	Sleeve	12	10.8~13.2	0.15	6500	8.45	5.70	32.57	25
AV-F4028LS	Sleeve	12	10.8~13.2	0.12	5000	6.42	3.27	25.37	25
AV-F4028HB	Ball	12	10.8~13.2	0.18	8000	10.27	8.37	38.76	25
AV-F4028MB	Ball	12	10.8~13.2	0.15	6500	8.45	5.70	32.57	25
AV-F4028LB	Ball	12	10.8~13.2	0.12	5000	6.42	3.27	25.37	25
AV-F4028HS24	Sleeve	24	21.6~26.4	0.13	8000	10.27	8.37	38.76	25
AV-F4028MS24	Sleeve	24	21.6~26.4	0.08	6500	8.45	5.70	32.57	25
AV-F4028LS24	Sleeve	24	21.6~26.4	0.05	5000	6.42	3.27	25.37	25
AV-F4028HB24	Ball	24	21.6~26.4	0.13	8000	10.27	8.37	38.76	25
AV-F4028MB24	Ball	24	21.6~26.4	0.08	6500	8.45	5.70	32.57	25
AV-F4028LB24	Ball	24	21.6~26.4	0.05	5000	6.42	3.27	25.37	25